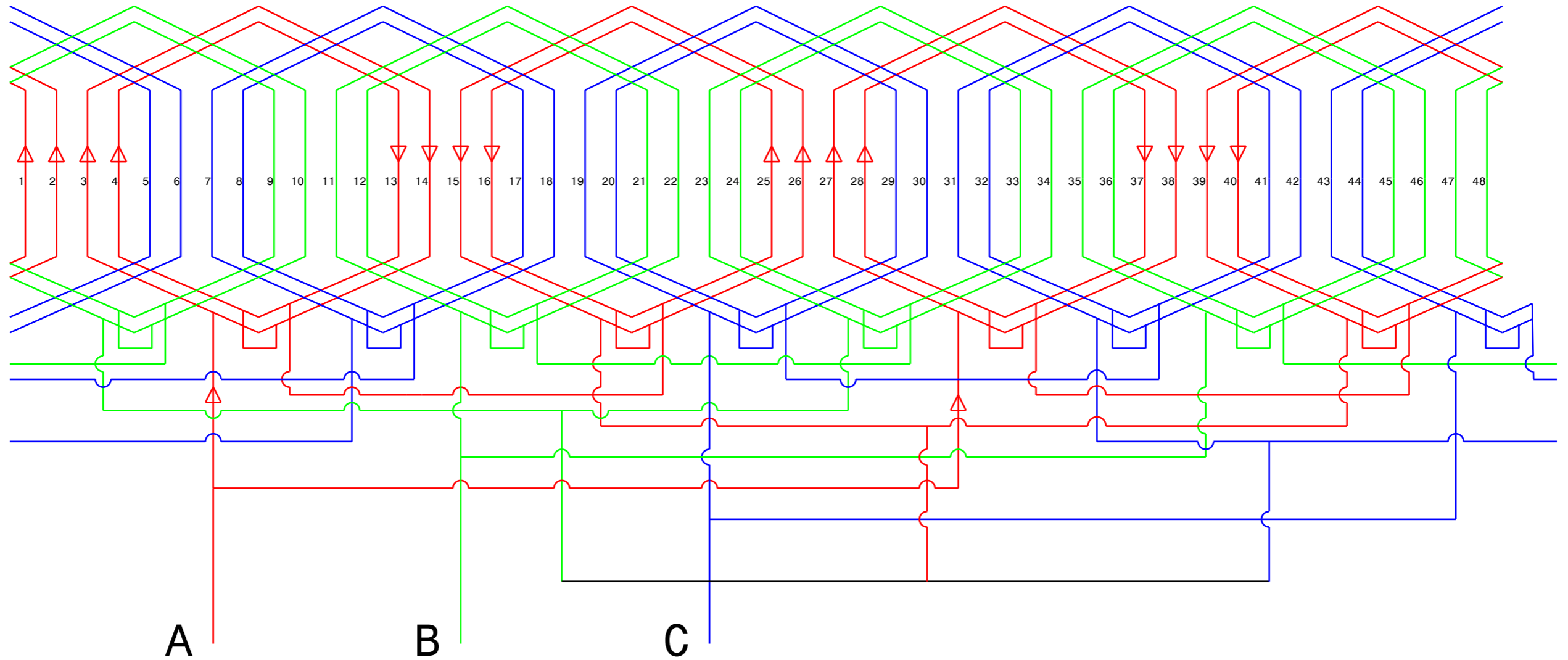


4AM160S4-023-001



If not specified, tolerance of +/-0.1mm must be used.  
 Sharp edges must be removed.  
 This drawing cannot be reproduced or communicated without written agreement of Dr. A.Pulnikov.

				<b>4AM160S4-023-001</b>				
Mod	Sh.	N. doc	Sign.	Date	<b>Stator winding diagram</b>	Let	Weight	Scale
Design		Müller	10/12/2019				-	1:1
Checked		Schmidt				Sheet 1	Sheets 1	
Control						Pulnikov EC		
Depart.					-			
Control					-			
Appr.		Pulnikov			-			

No. of turns per coil	No. of parallel wires	No. of parallel branches	Phase resistance @ 20°C, Ohm
27	2	2	0.197

Use

Num. 3

A

Sign. & date

Num. 2

Num. 1

Sign. & date

Num.