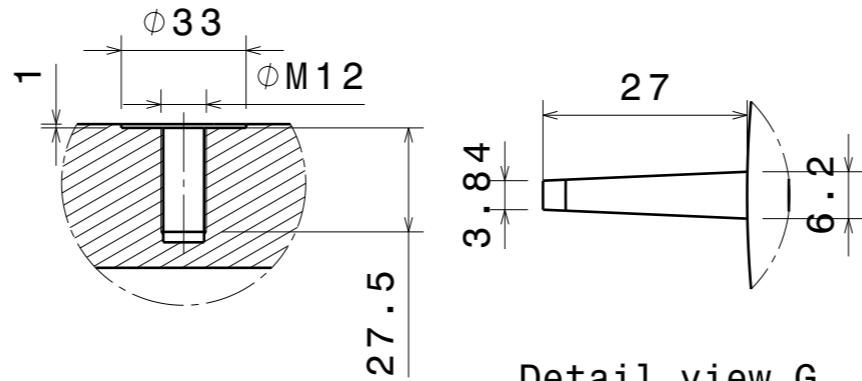
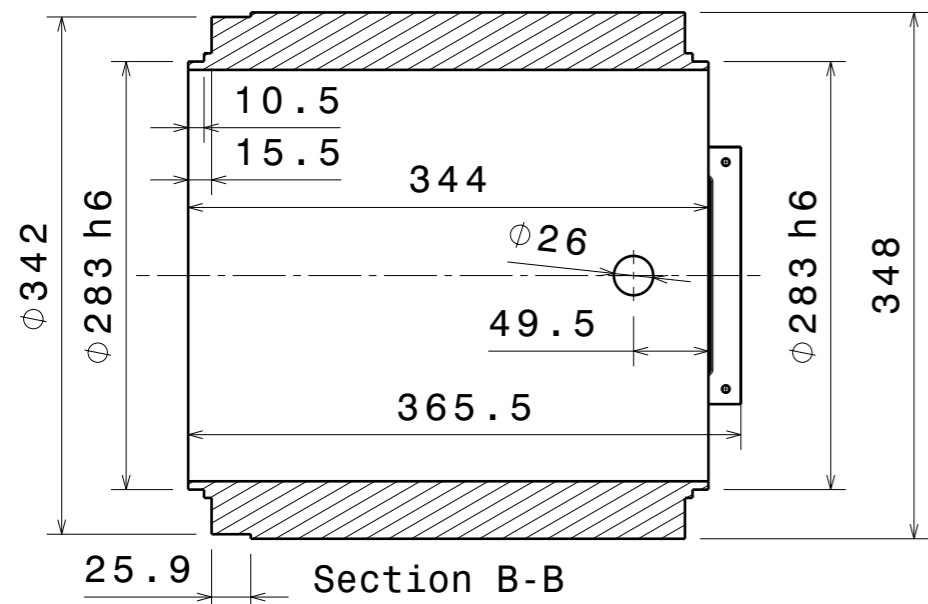
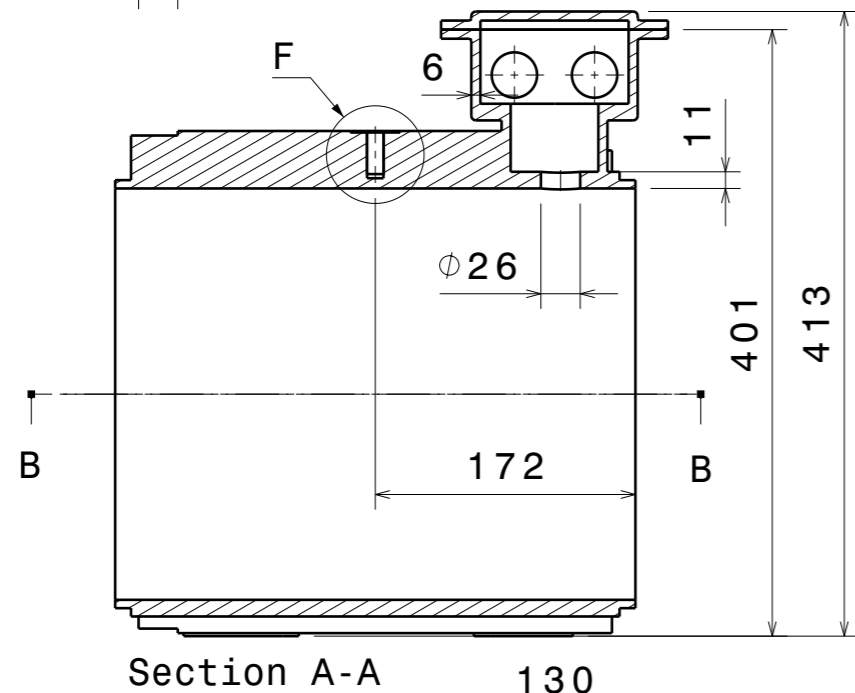
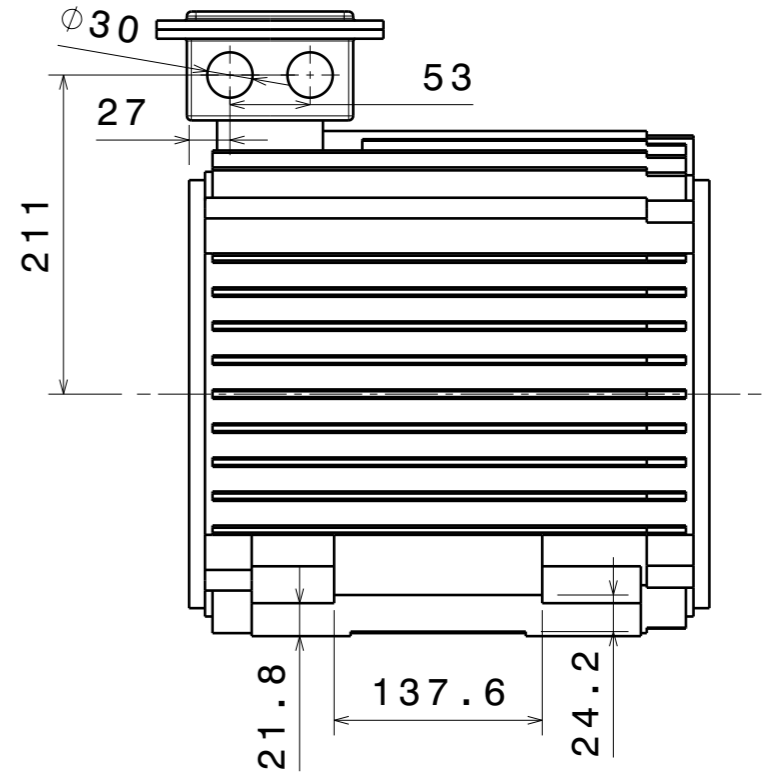
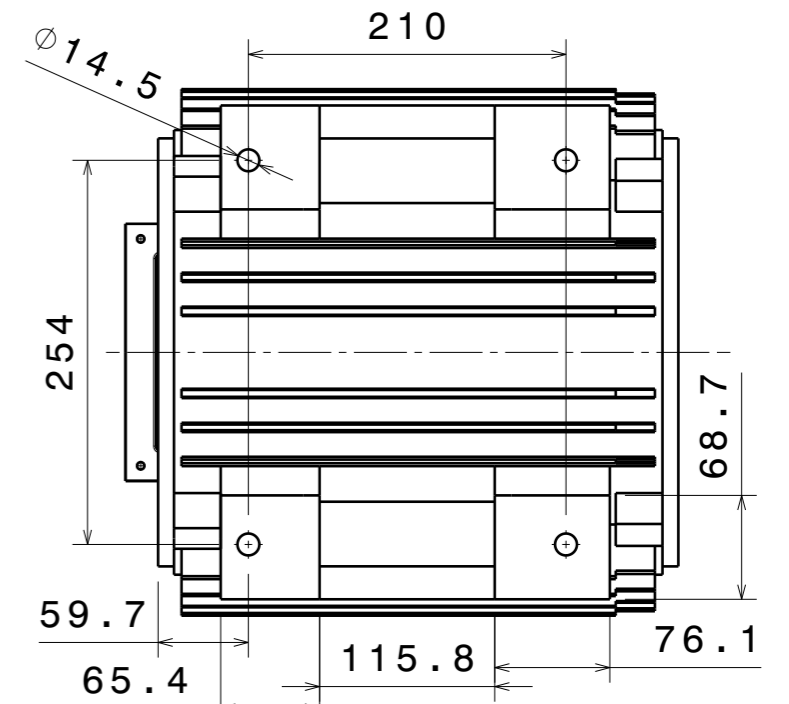


4AM160S4-030-001

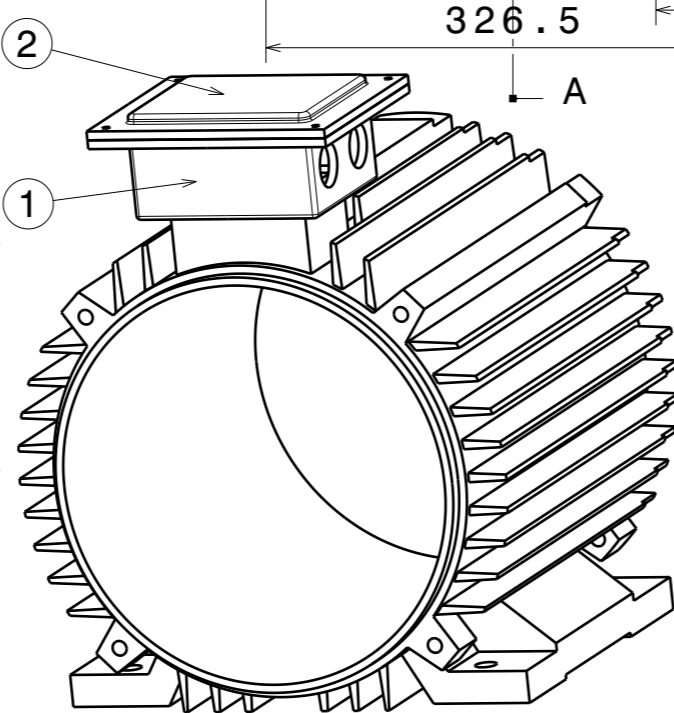
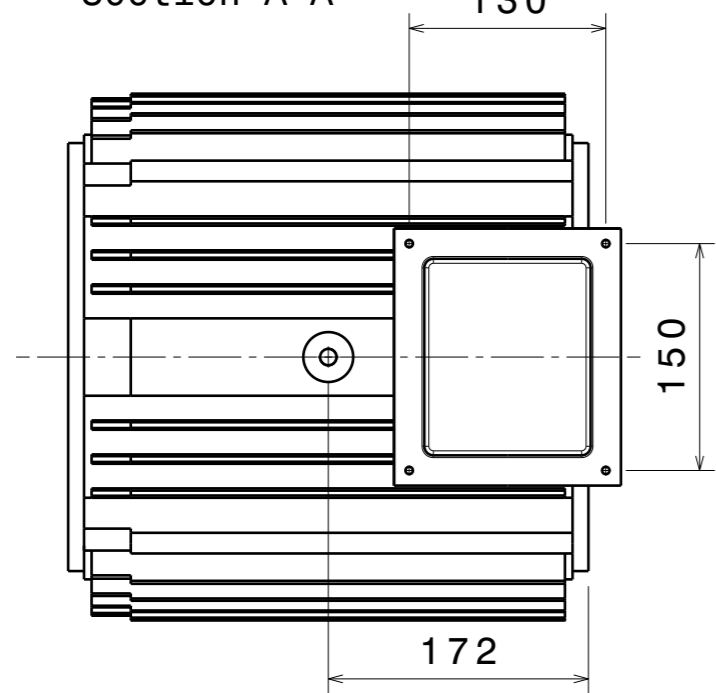
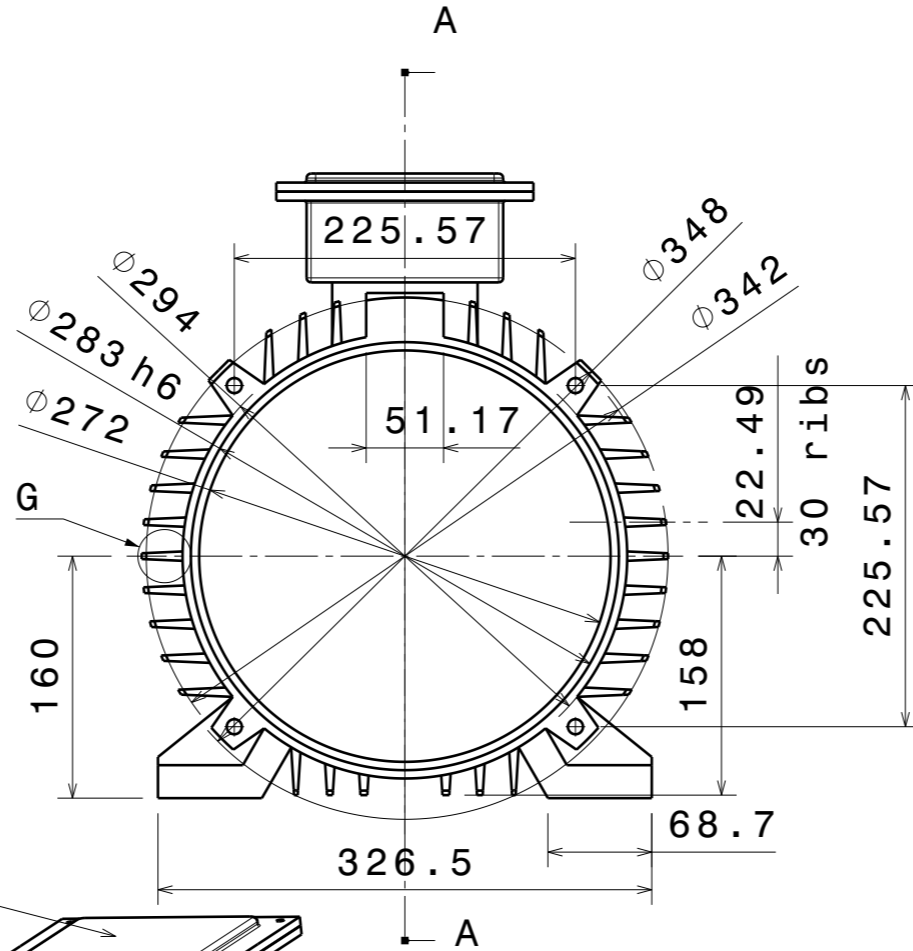


Detail view F  
Scale 1:2

Detail view G  
Scale 1:1



Section A-A



Item	Qty	Unit	Part-No	Description	Remarks
1	18.2	kg		Housing	Aluminum
2	0.46	kg		Therminal box cover	Aluminum

If not specified, tolerance of +/-0.1mm must be used.

Sharp edges must be removed.

This drawing cannot be reproduced or communicated without written agreement of Dr. A.Pulnikov.

4AM160S4-030-001						
Housing and terminal box cover				Let	Weight	Scale
Mod Sh.	N. doc	Sign.	Date		18.7	1:5
Design	Müller	4/12/2019				
Checked	Schmidt					
Control						
Depart.						
Control						
Appr.	Pulnikov					
Aluminum				Pulnikov EC		

Use

Num. 3

B

A

Sign. & date

Num. 2

Num. 1

Sign. & date

Num.