

4AM160S4-031-001

Use

Num. 3

B

A

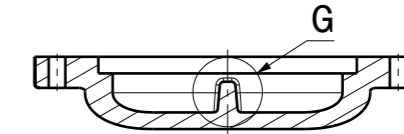
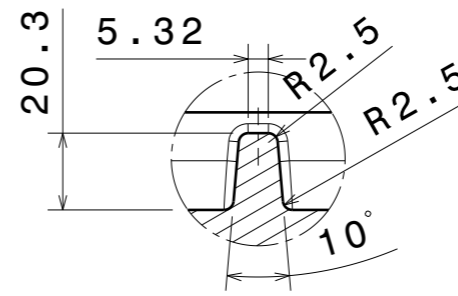
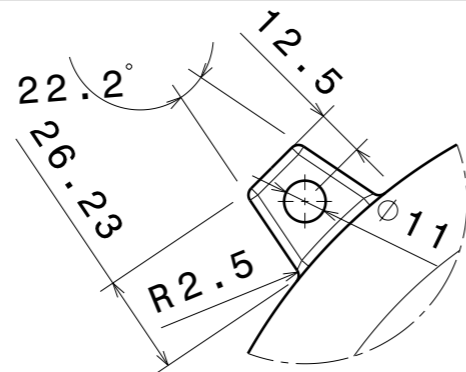
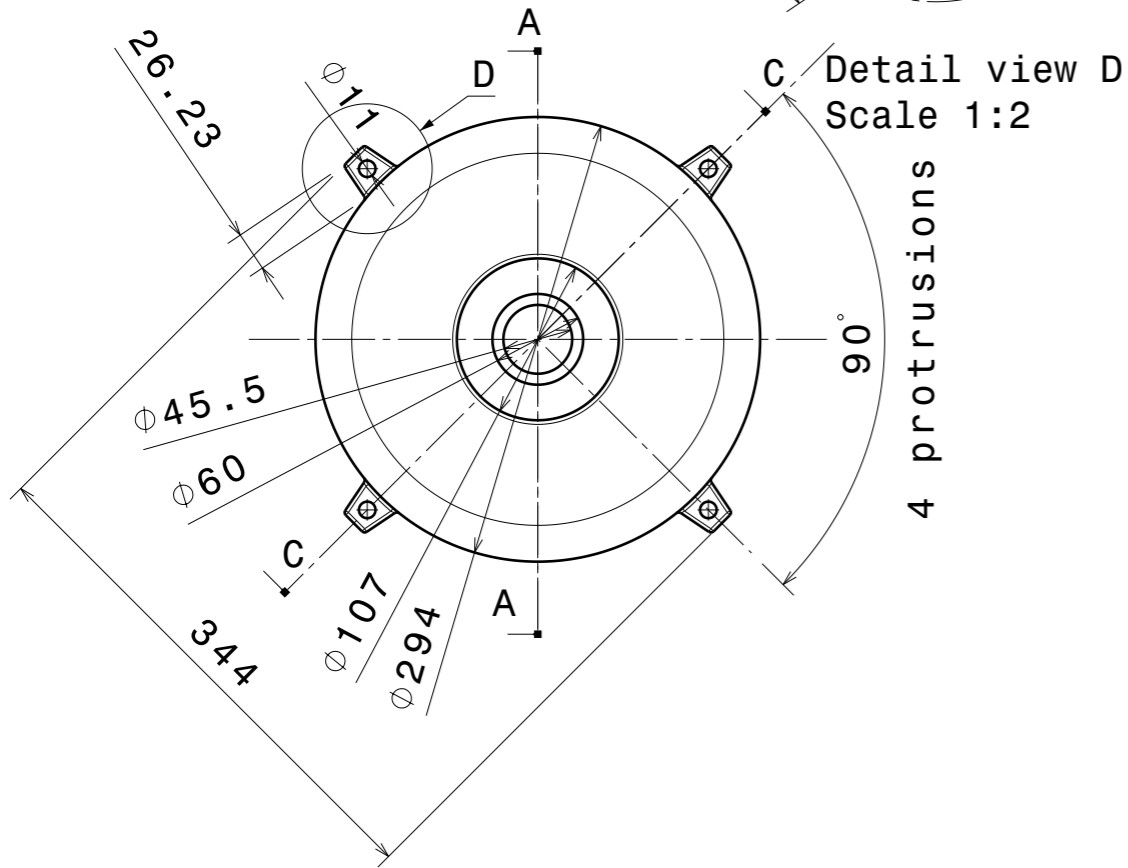
Sign. & date

Num. 2

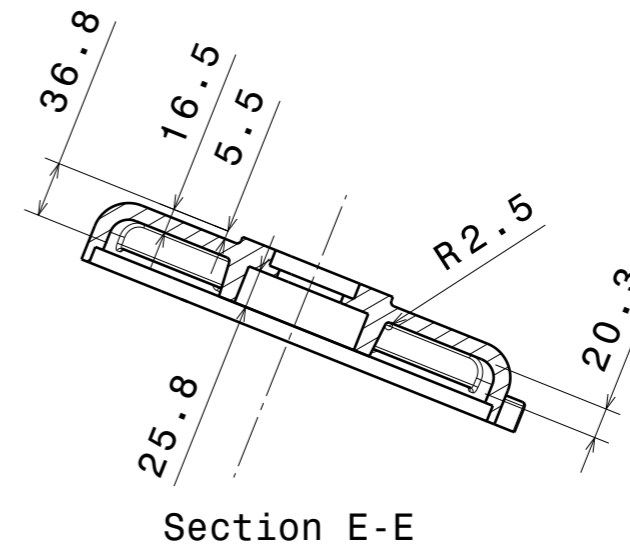
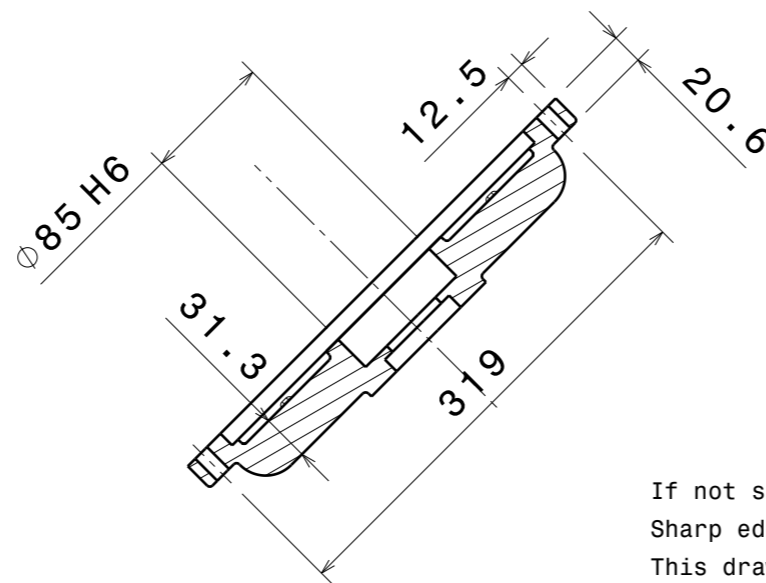
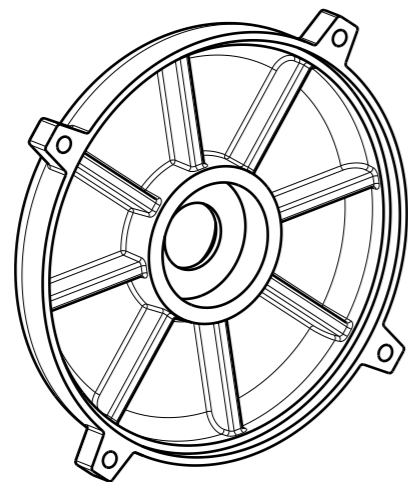
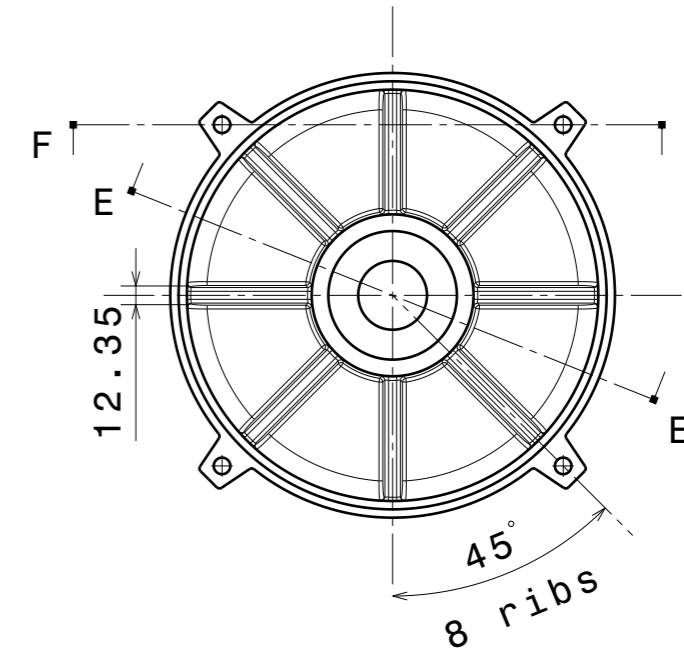
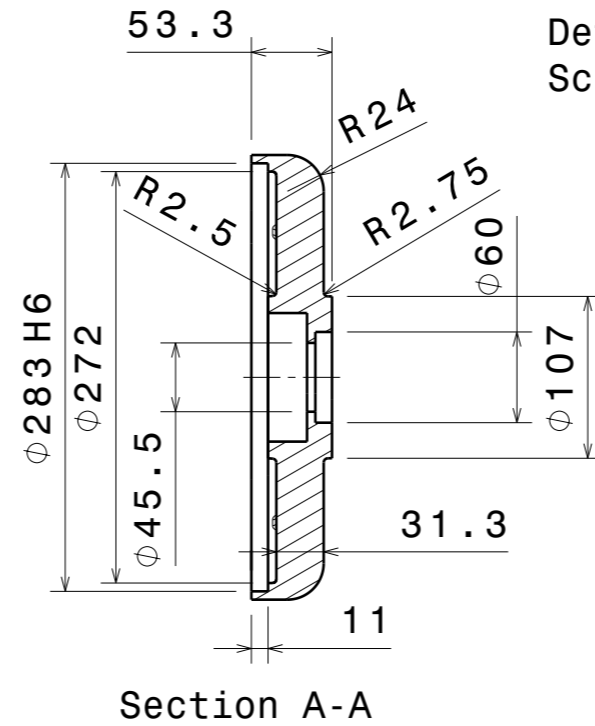
Num. 1

Sign. & date

Num.



Section F-F



If not specified, tolerance of +/-0.1mm must be used.

Sharp edges must be removed.

This drawing cannot be reproduced or communicated without written agreement of Dr. A.Pulnikov.

				<b>4AM160S4-031-001</b>				
Mod	Sh.	N. doc	Sign.	Date	<b>Bearing shield drive side</b>	Let	Weight	Scale
Design		Müller	10/12/2019				10	1:5
Checked		Schmidt				Sheet 1	Sheets 1	
Control								
Depart.								
Control								
Appr.		Pulnikov			<b>Cast iron</b>			
						<b>Pulnikov EC</b>		