

4AM160S4-034-001

Use

Num. 3

B

A

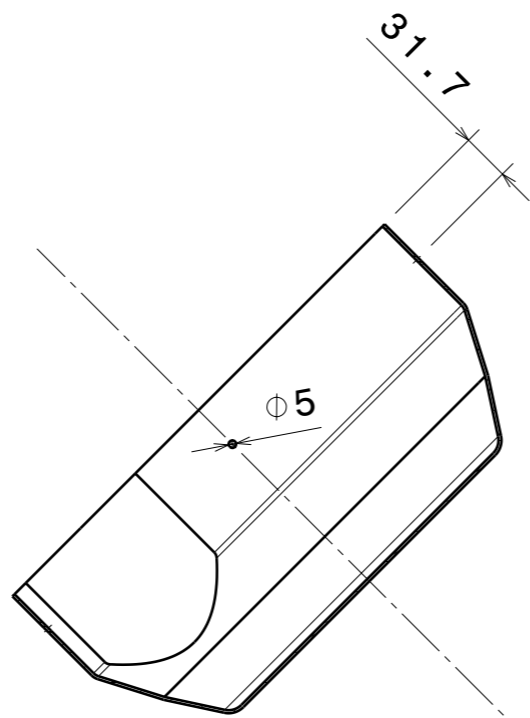
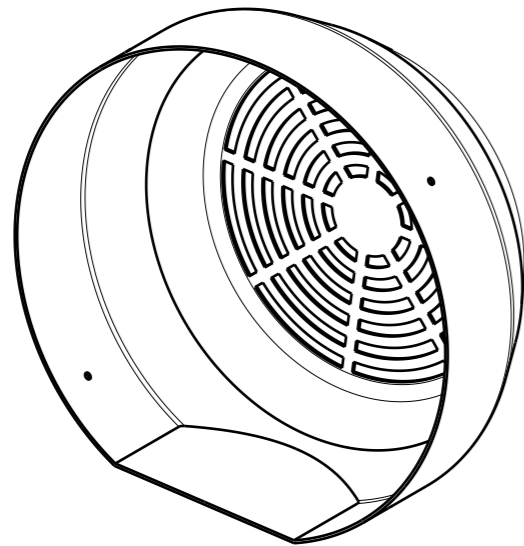
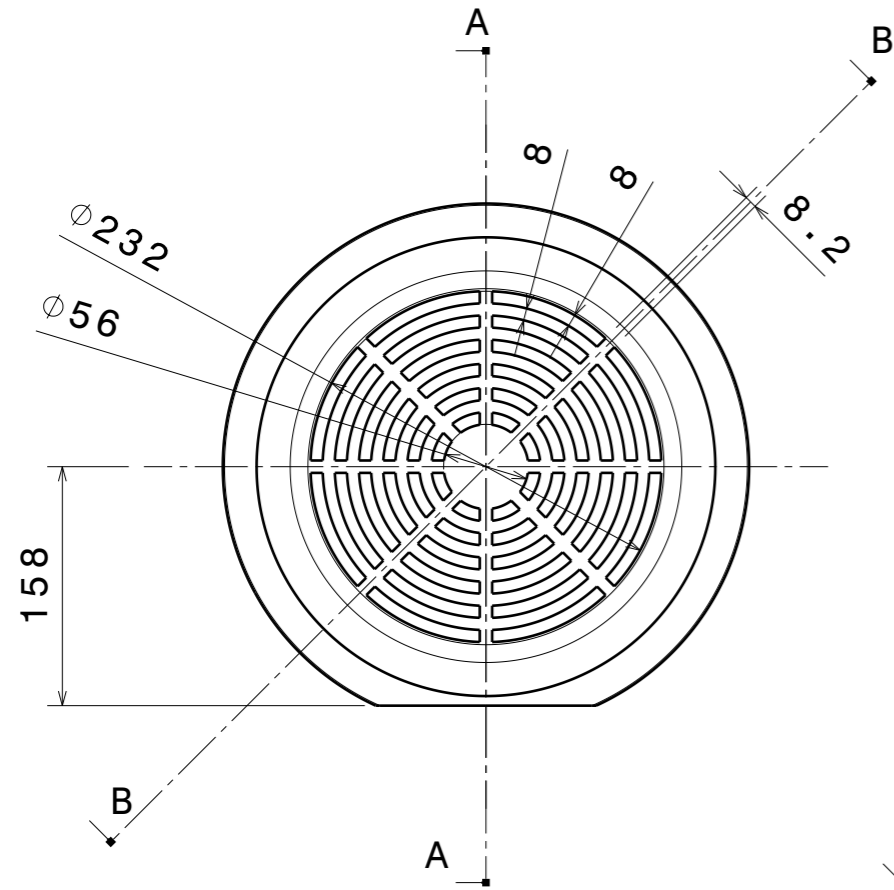
Sign. & date

Num. 2

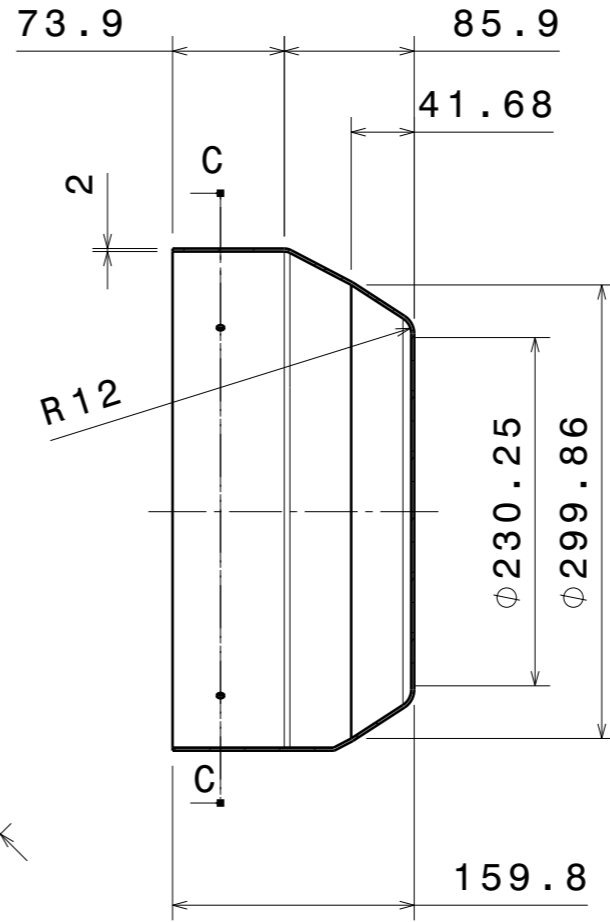
Num. 1

Sign. & date

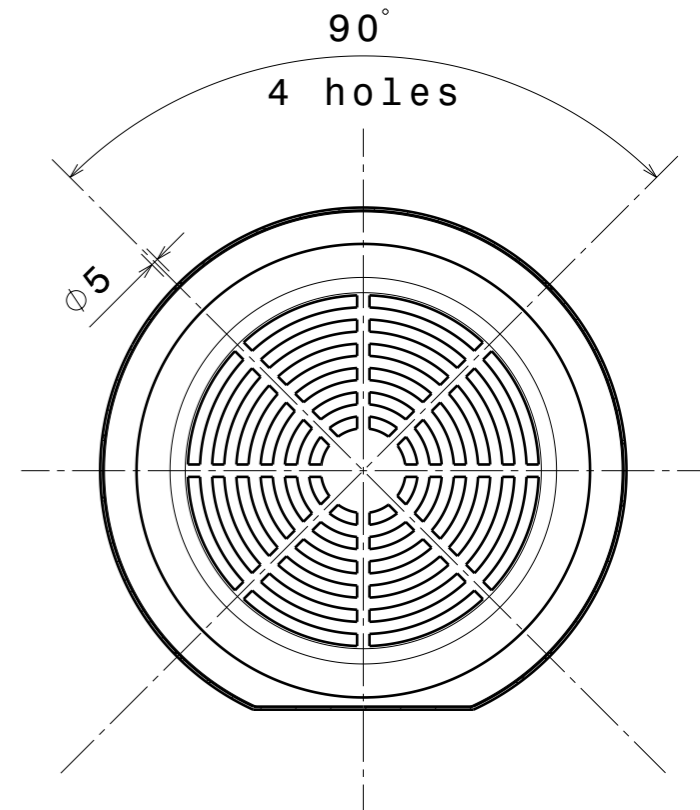
Num.



Section B-B



Section A-A



Section C-C

If not specified, tolerance of +/-0.1mm must be used.

Sharp edges must be removed.

This drawing cannot be reproduced or communicated without written agreement of Dr. A.Pulnikov.

|         |     |         |            |      |                         |  |  |
|---------|-----|---------|------------|------|-------------------------|--|--|
|         |     |         |            |      | <b>4AM160S4-034-001</b> |  |  |
|         |     |         |            |      | <b>Fan cover</b>        |  |  |
|         |     |         |            |      |                         |  |  |
| Mod     | Sh. | N. doc  | Sign.      | Date | <b>0.56 1:5</b>         |  |  |
| Design  |     | Müller  | 11/12/2019 |      |                         |  |  |
| Checked |     | Schmidt |            |      |                         |  |  |
| Control |     |         |            |      |                         |  |  |
| Depart. |     |         |            |      |                         |  |  |
| Control |     |         |            |      | <b>Steel</b>            |  |  |
| Appr.   |     |         |            |      |                         |  |  |
|         |     |         |            |      | Sheet 1   Sheets 1      |  |  |