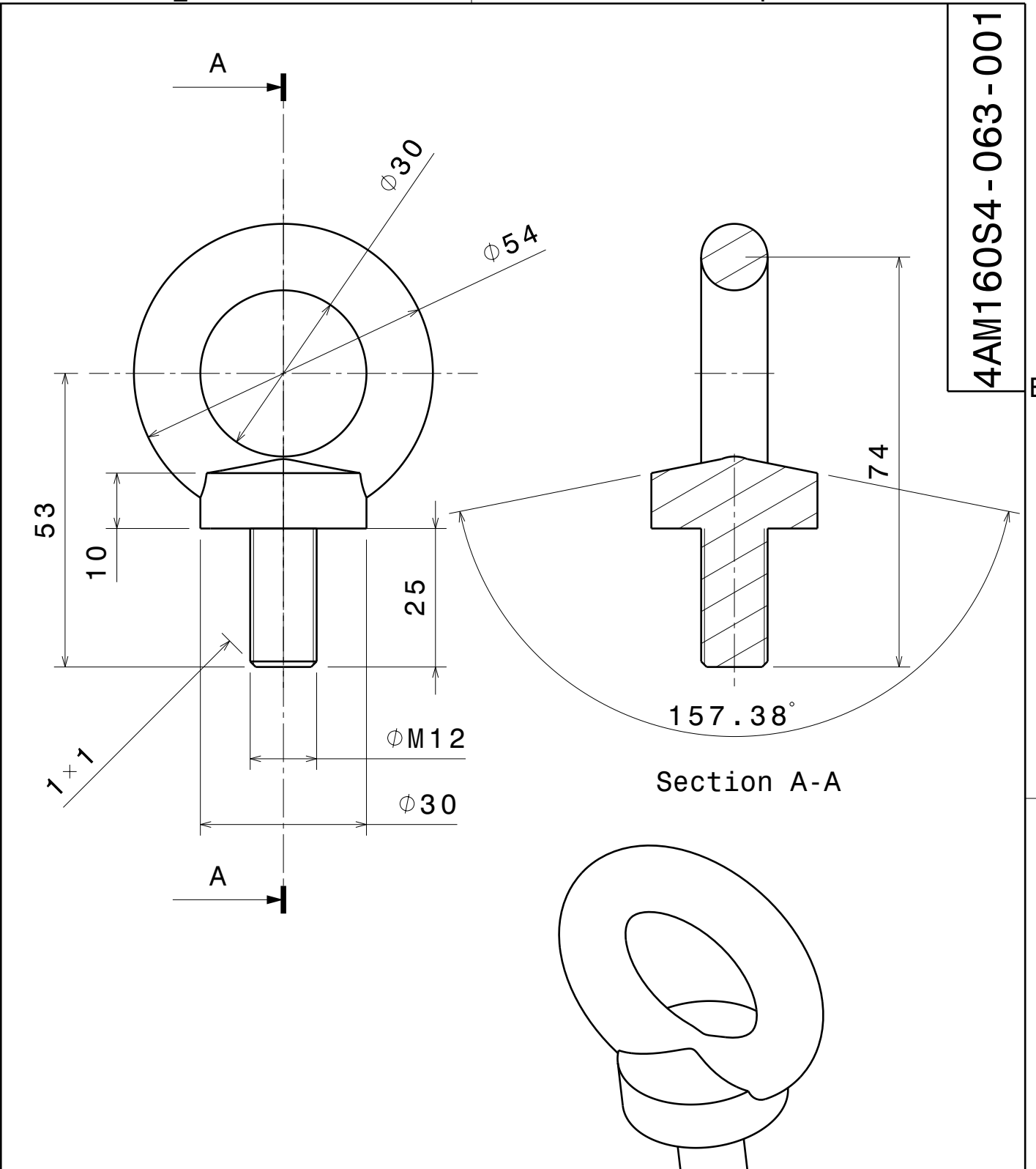


Use
Num. 3
B
A

Sign. & date	Num. 2	Num. 1
Sign. & date	Num. 2	Num. 1

Sign. & date	Mod	Sh.	N. doc	Sign.	Date
Design			Müller	5/12/2019	
Checked			Schmidt		
Control					
Depart.					
Control					
Appr.					



This is a standard component.
 If not specified, tolerance of +/-0.1mm must be used.
 Sharp edges must be removed.
 This drawing cannot be reproduced or communicated without written agreement of Dr. A.Pulnikov.

4AM160S4-063-001						
Eye bolt for housing				Let	Weight	Scale
					0.18	1:1
Steel				Sheet 1		Sheets 1
				Pulnikov EC		

4AM160S4-063-001