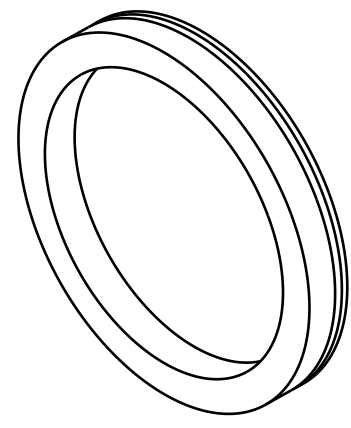
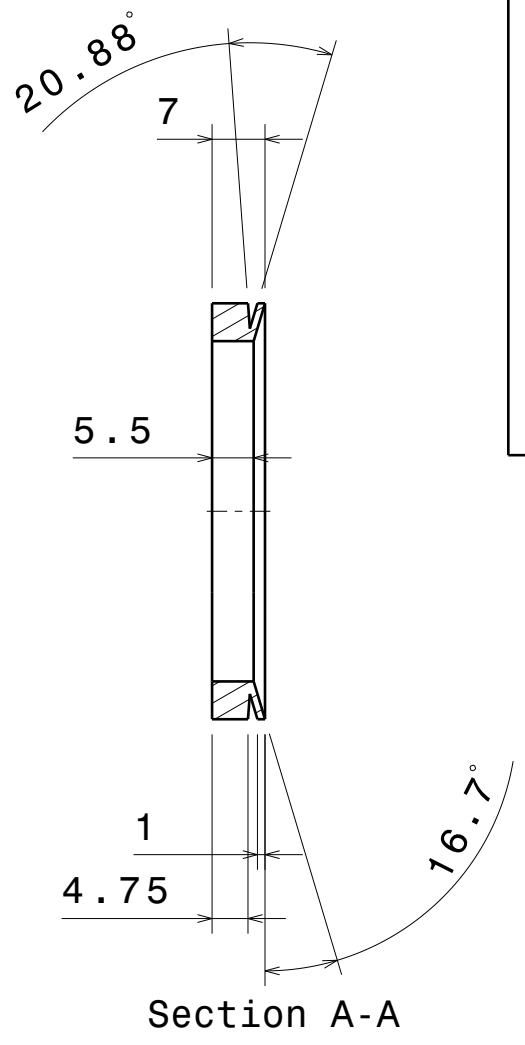
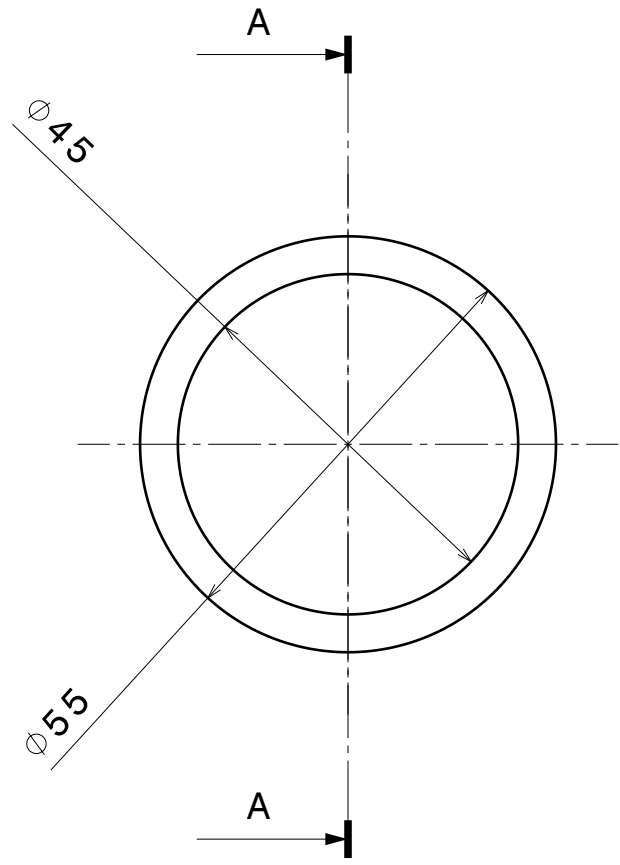


Use  
 Num. 3  
 B  
 A



4AM160S4-065-001

Sign. & date  
 Num. 2  
 Num. 1  
 Sign. & date  
 Num.  
 Mod Sh. N. doc Sign. Date  
 Design Müller 3/12/2019  
 Checked Schmidt  
 Control  
 Depart.  
 Control  
 Appr.

This is a standard component.  
 If not specified, tolerance of +/-0.1mm must be used.  
 Sharp edges must be removed.

This drawing cannot be reproduced or communicated without written agreement of Dr. A.Pulnikov.

4AM160S4-065-001

Seal fan side

Let	Weight	Scale
	0.006	1:1
Sheet 1		Sheets 1

Rubber

Pulnikov EC