

4A112M4-031-001

Use

Num. 3

B

A

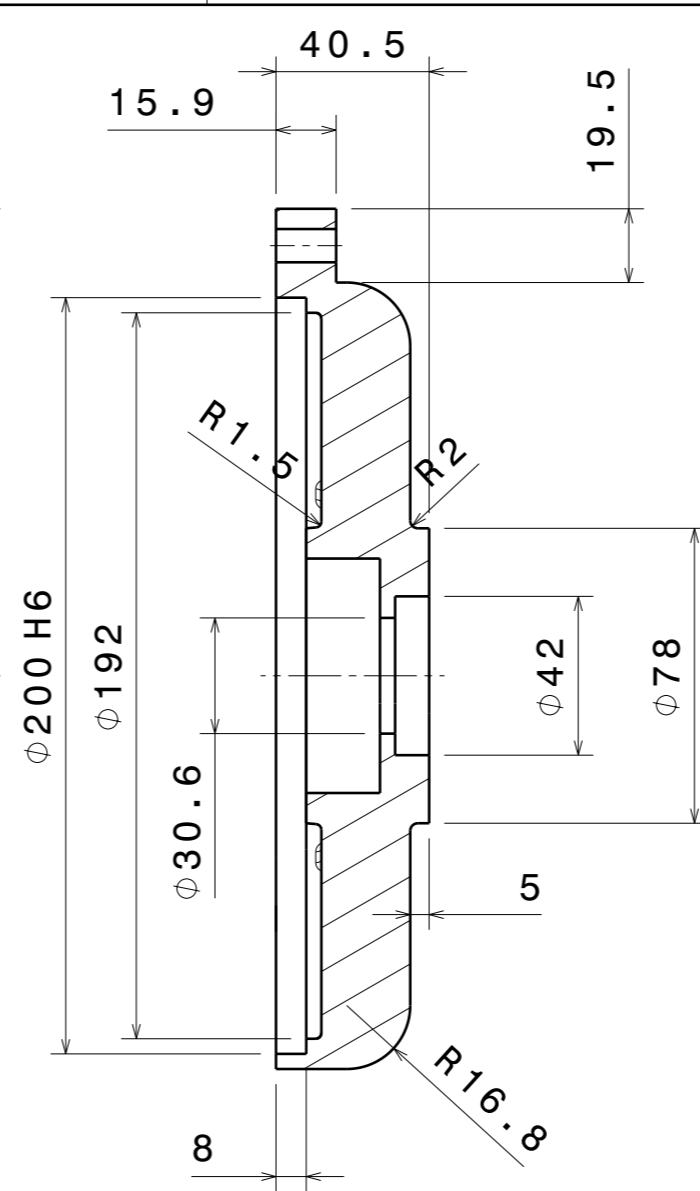
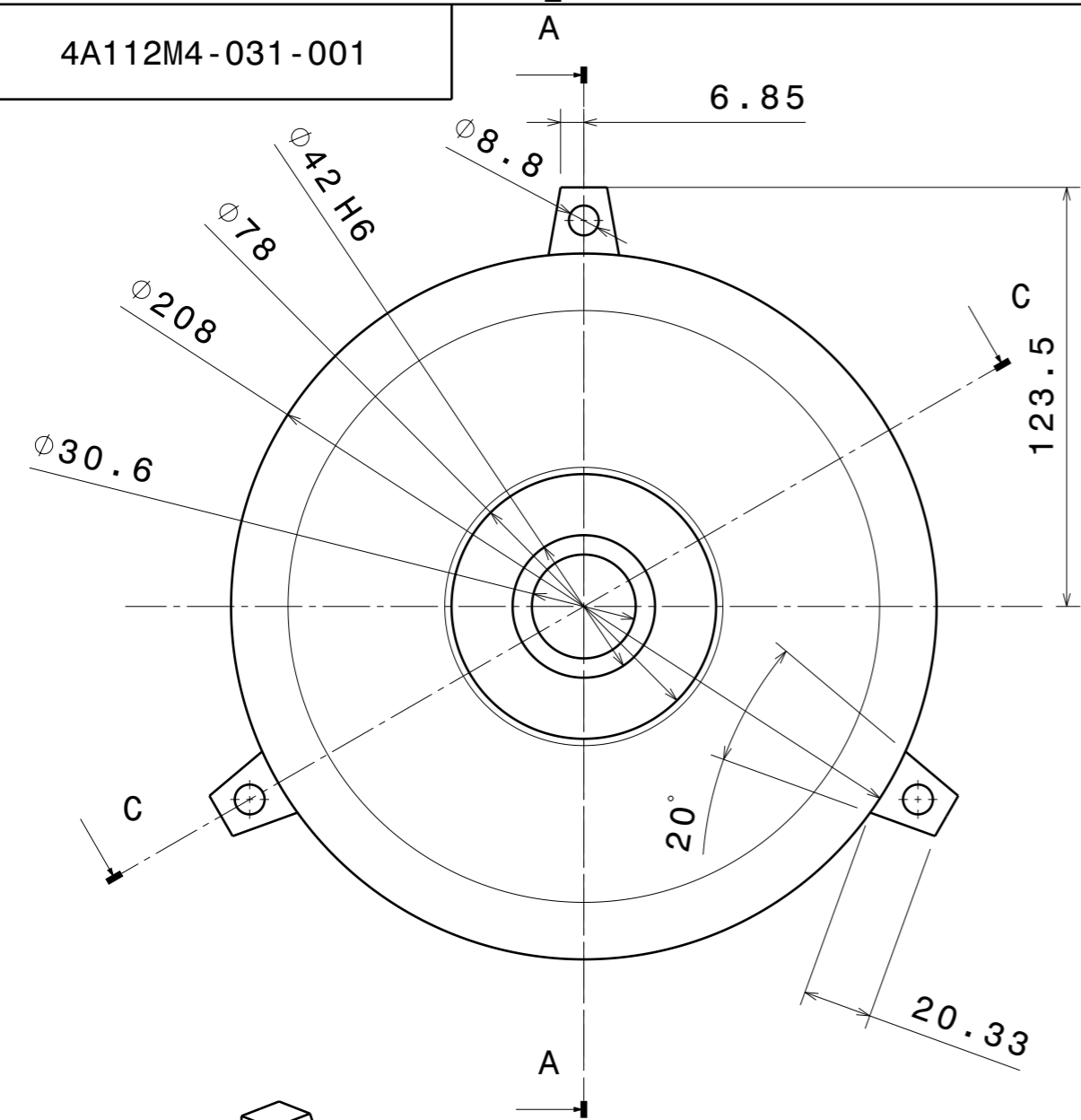
Sign. & date

Num. 2

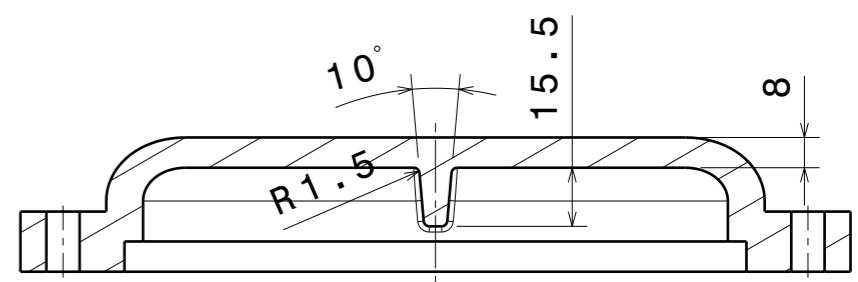
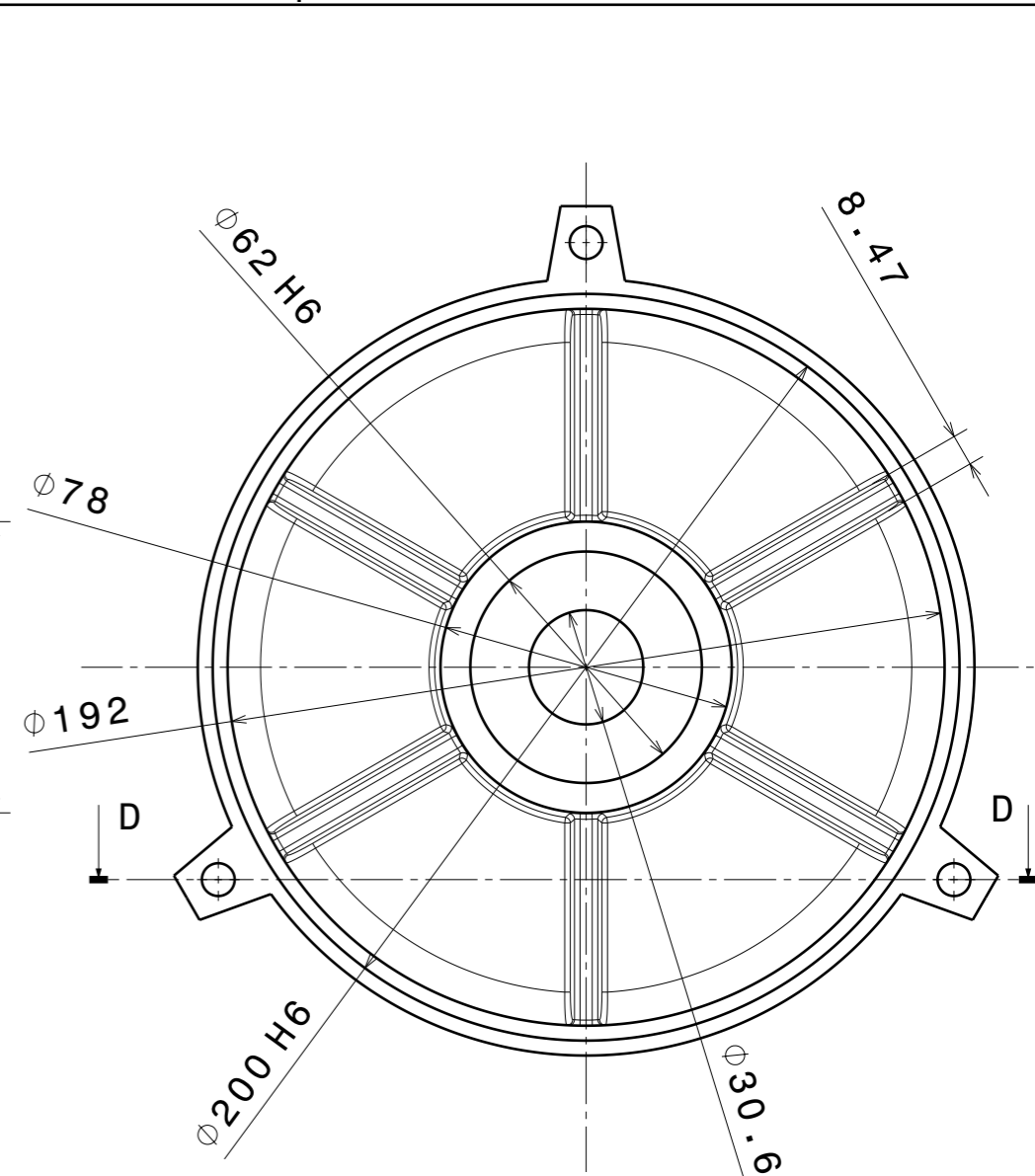
Num. 1

Sign. & date

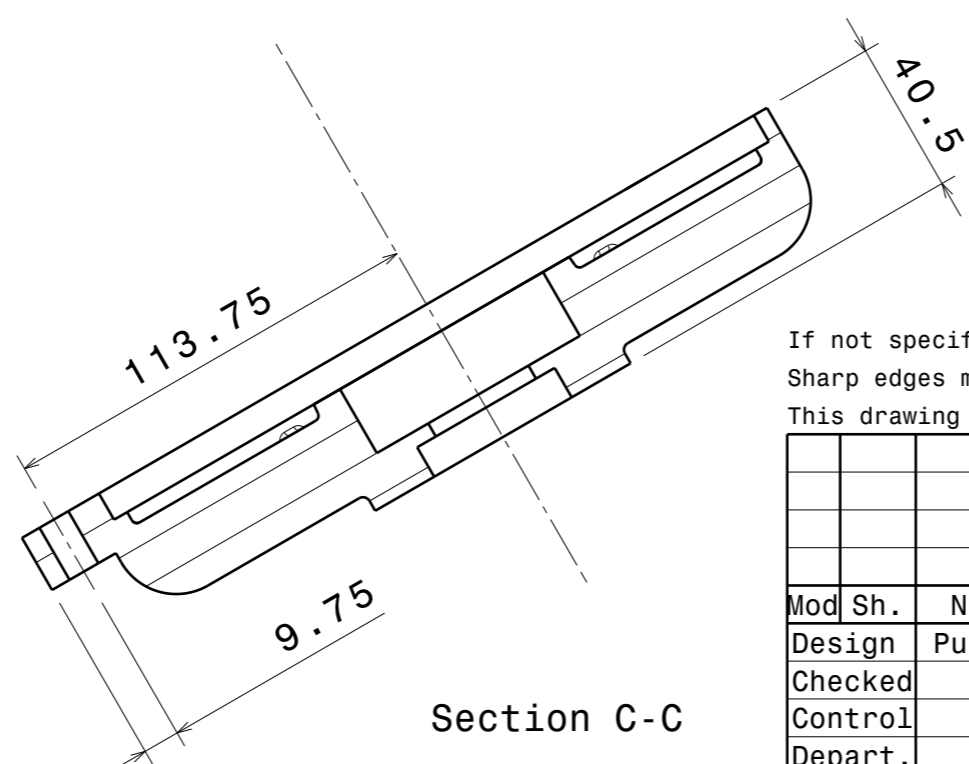
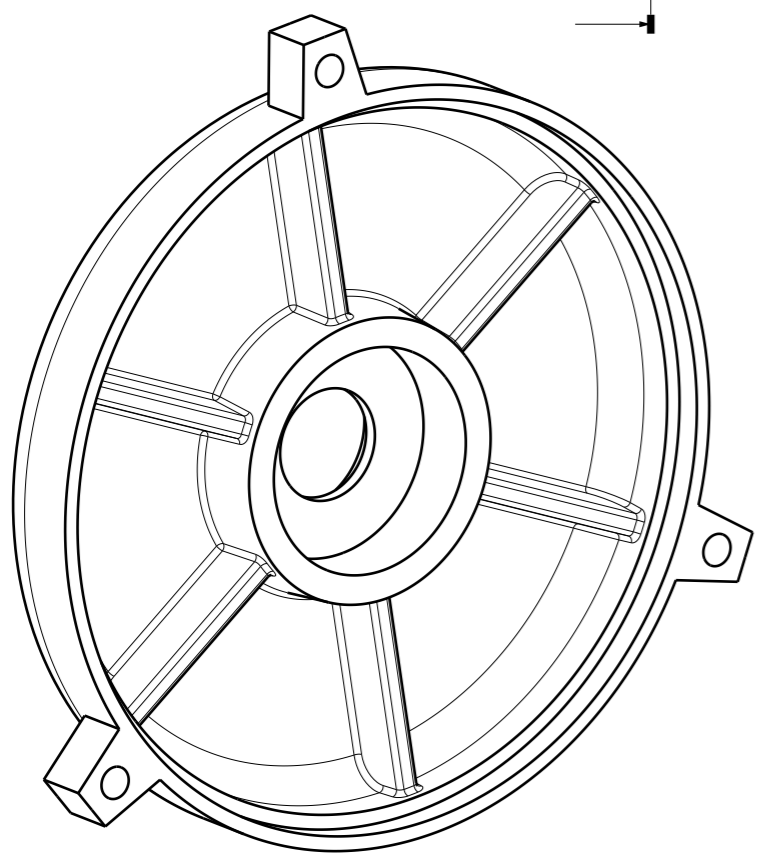
Num.



Section A-A



Section D-D



Section C-C

If not specified, tolerance of +/-0.1mm must be used.
 Sharp edges must be removed.
 This drawing cannot be reproduced or communicated without written agreement of Dr. A.Pulnikov.

Mod Sh.	N. doc	Sign.	Date
Design	Pulnikov	17/06/2020	
Checked			
Control			
Depart.			
Control			
Appr.			

4A112M4-031-001			
Bearing shield (drive side)	Let	Weight	Scale
		1.25	1:2
Cast iron	Sheet 1	Sheets 1	
	Pulnikov EC		