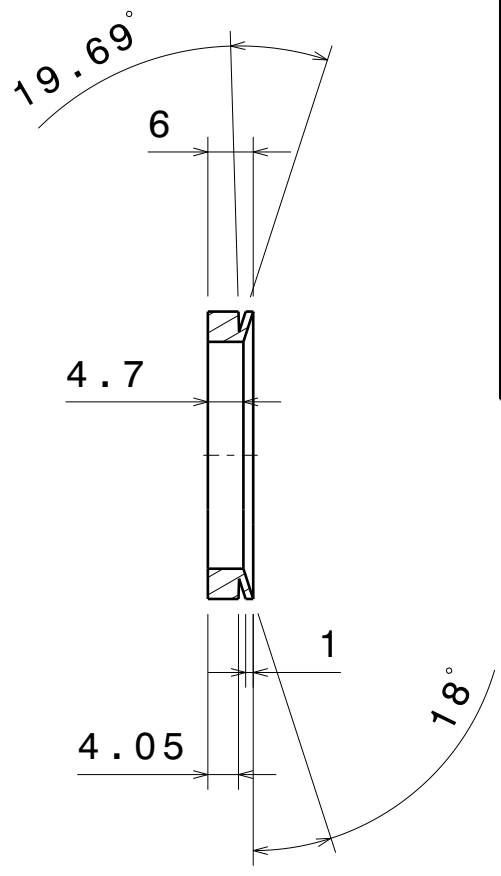
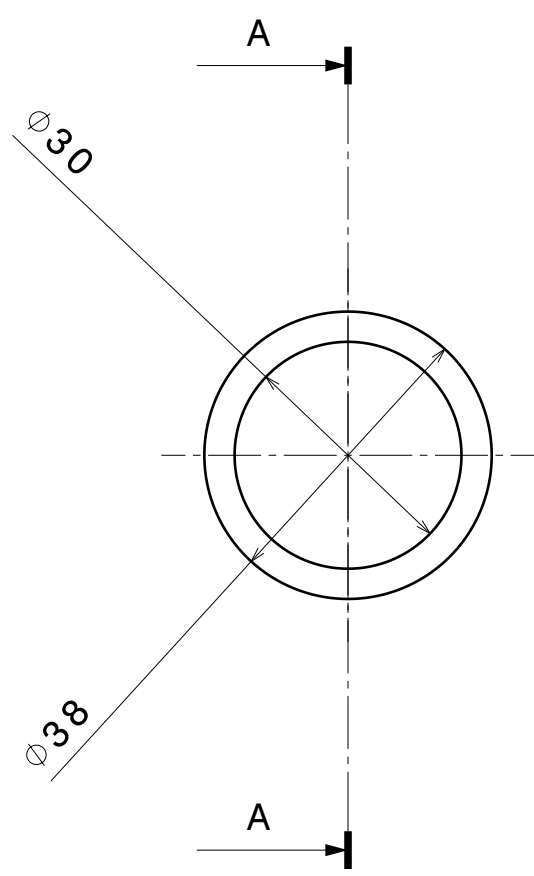


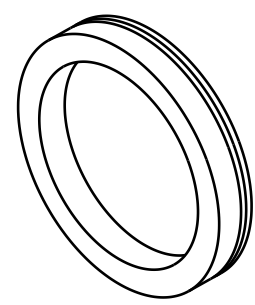
Use

Num. 3 B

A



A-A



4A112M4-065-001

Sign. & date

Num. 2

Num. 1

Sign. & date

Num.

If not specified, tolerance of +/-0.1mm must be used.
Sharp edges must be removed.

This drawing cannot be reproduced or communicated without written agreement of Dr. A.Pulnikov.

					4A112M4-065-001						
					Seal fan side			Let	Weight	Scale	
									0.002	1:1	
					Rubber			Sheet 1		Sheets 1	
Mod Sh.	N. doc	Sign.	Date	Pulnikov EC							
Design	Pulnikov	17/06/2020									
Checked											
Control											
Depart.				Pulnikov EC							
Control											
Appr.				Pulnikov EC							