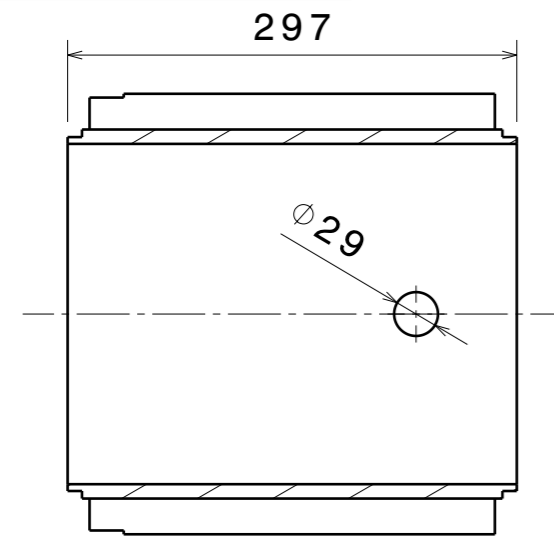
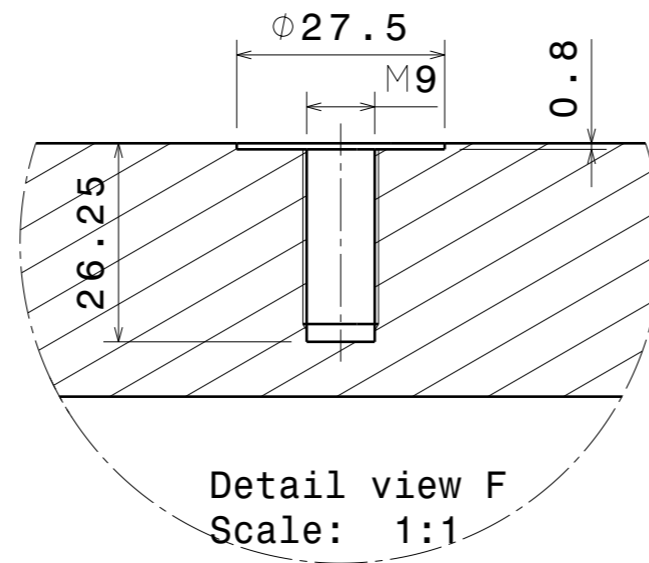


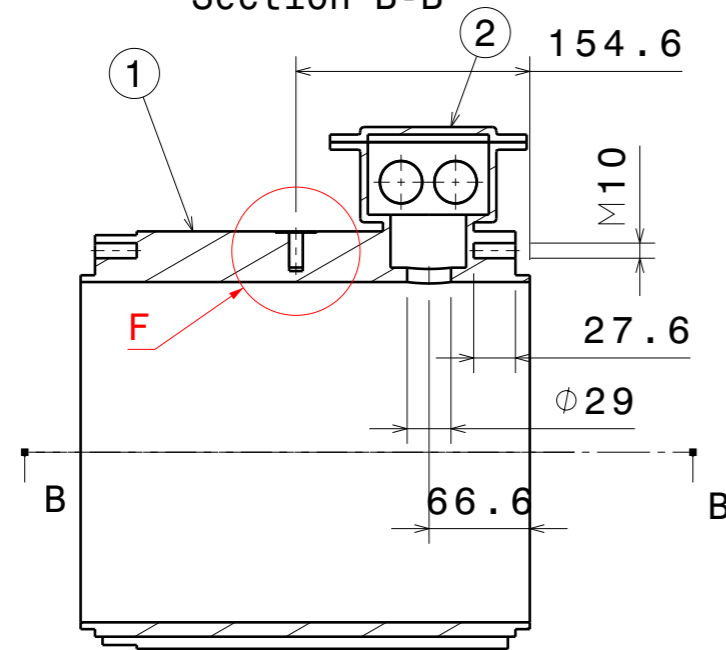
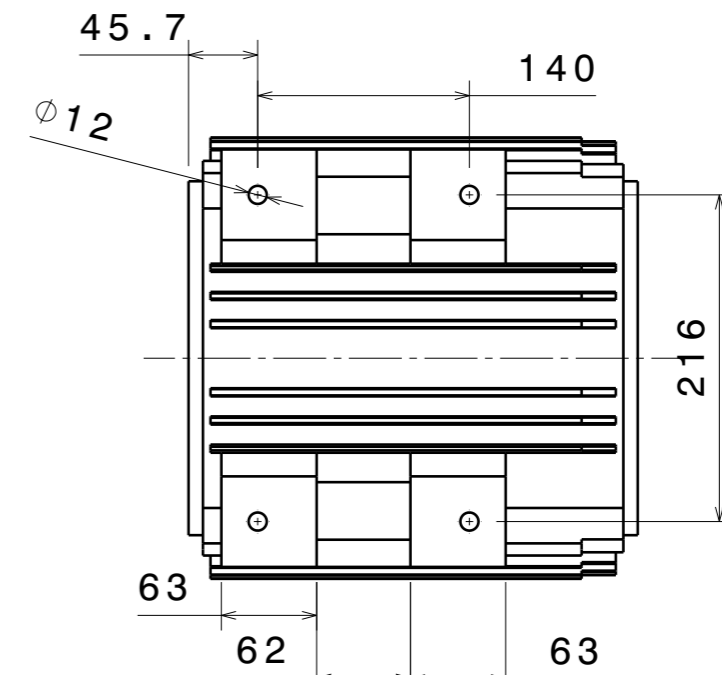
4A132M6-030-001



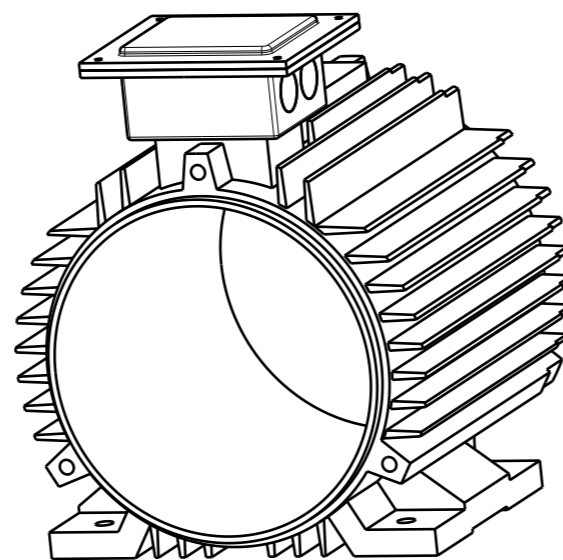
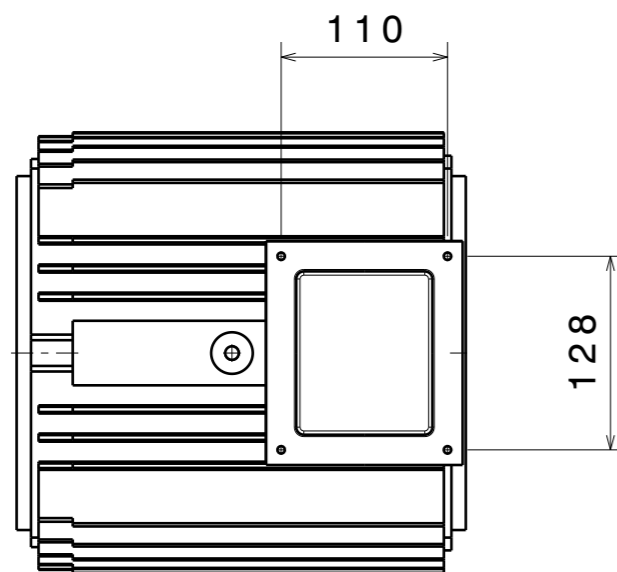
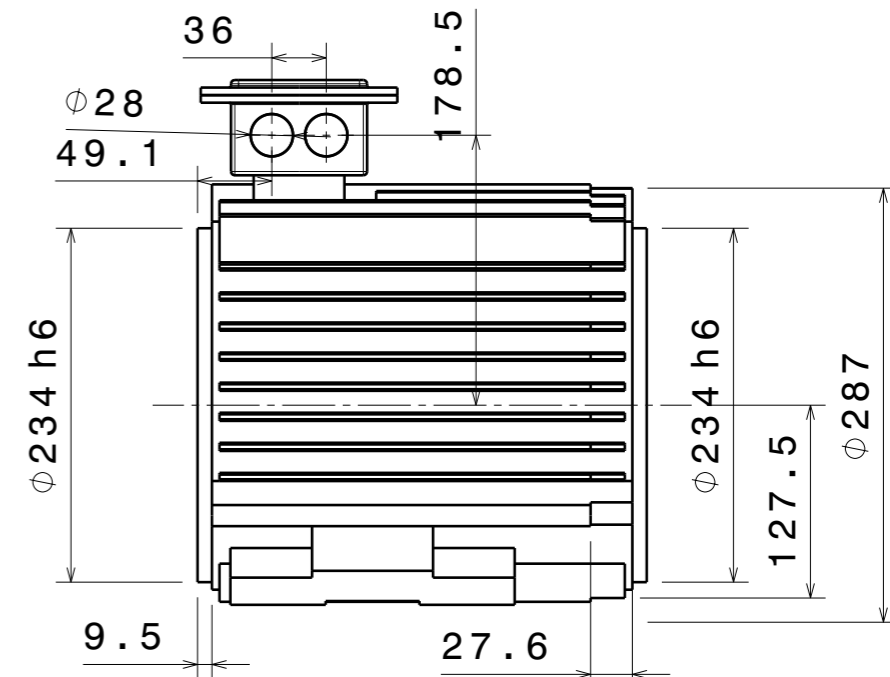
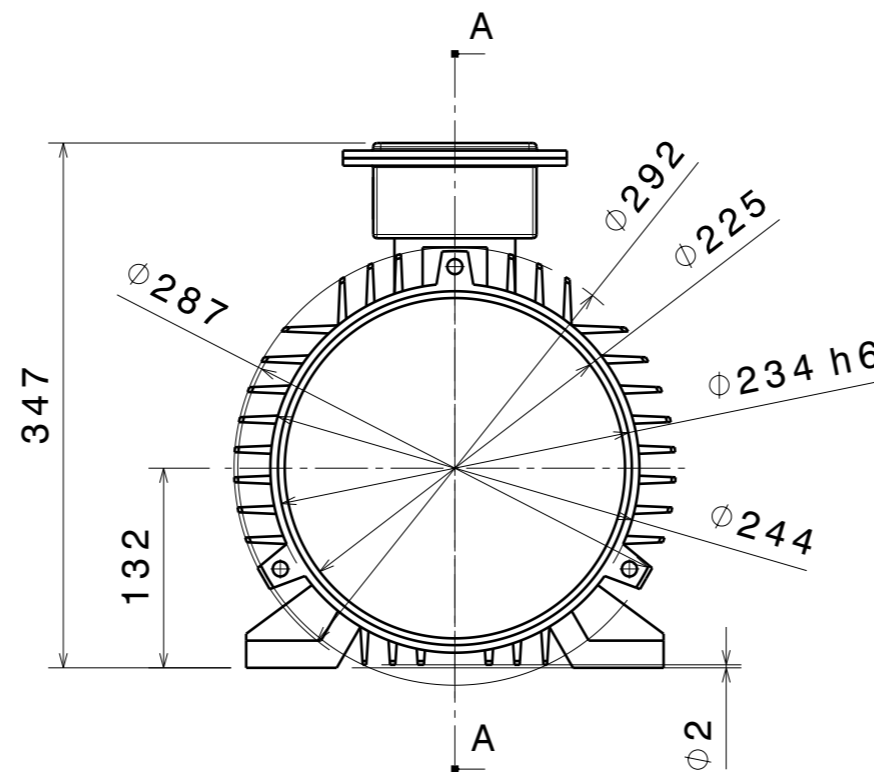
Section B-B



Detail view F  
Scale: 1:1



Section A-A



Item	Qty	Unit	Part-No	Description	Remarks
1	1	pc		Housing	Cast iron
2	1	pc		Therminal box cover	Cast iron

If not specified, tolerance of +/-0.1mm must be used.

Sharp edges must be removed.

This drawing cannot be reproduced or communicated without written agreement of Dr. A.Pulnikov.

				<b>4A132M6-030-001</b>				
				Housing and terminal box		Let	Weight	Scale
							32	1:5
				Cast iron		Sheet 1		Sheets 1
						Pulnikov EC		
Mod Sh.	N. doc	Sign.	Date					
Design	Pulnikov	17/06/2020						
Checked								
Control								
Depart.								
Control								
Appr.								

Use

Num. 3

B

A

Sign. & date

Num. 2

Num. 1

Sign. & date

Num.

B

A