

4A132M6-032-001

Use

Num. 3

B

A

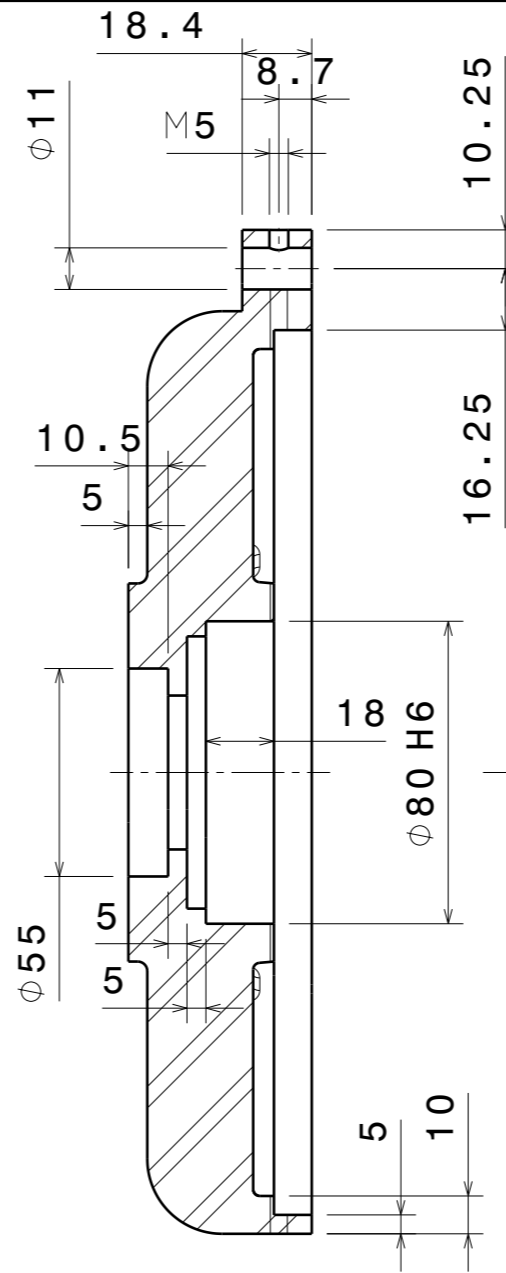
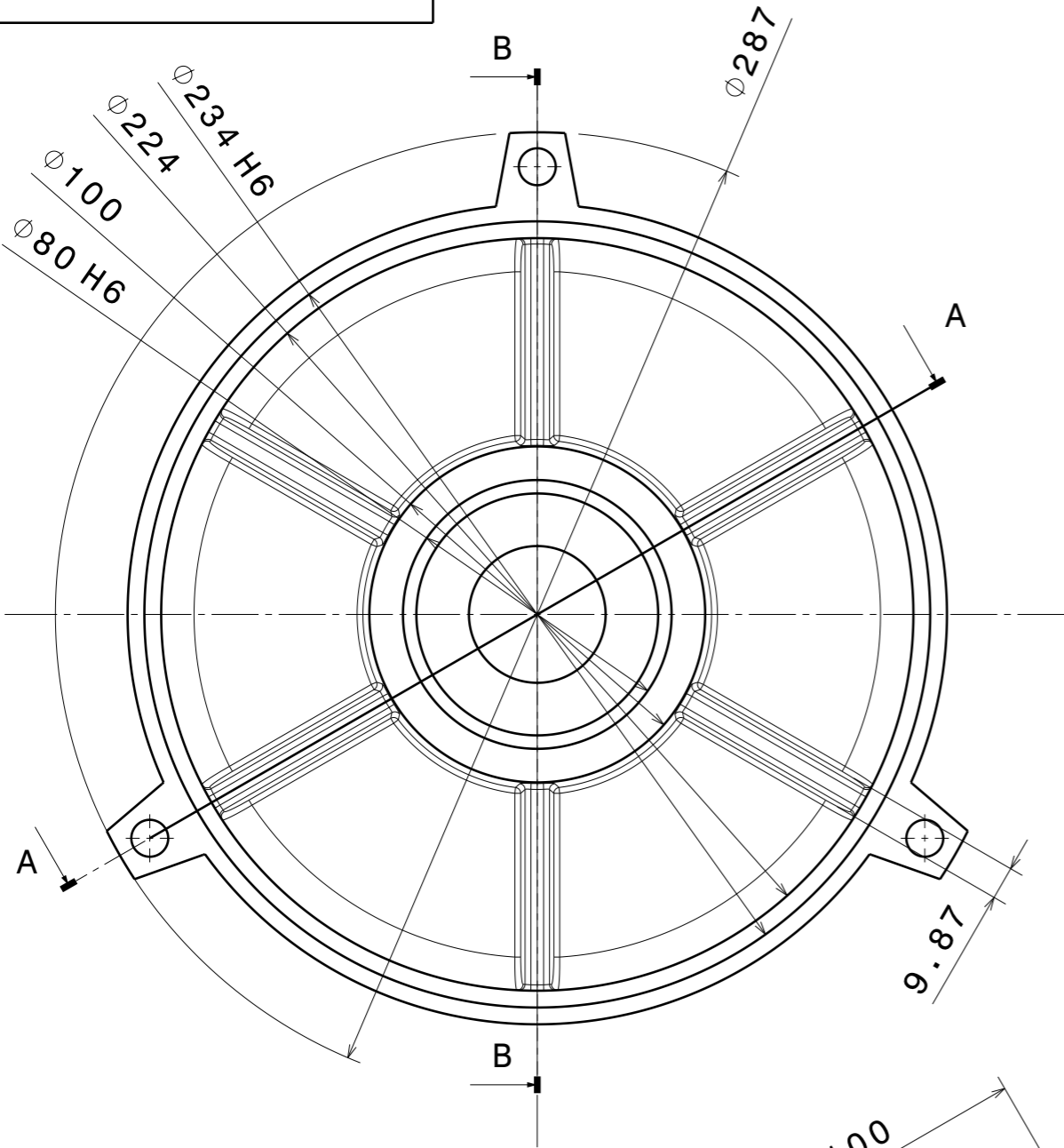
Sign. & date

Num. 2

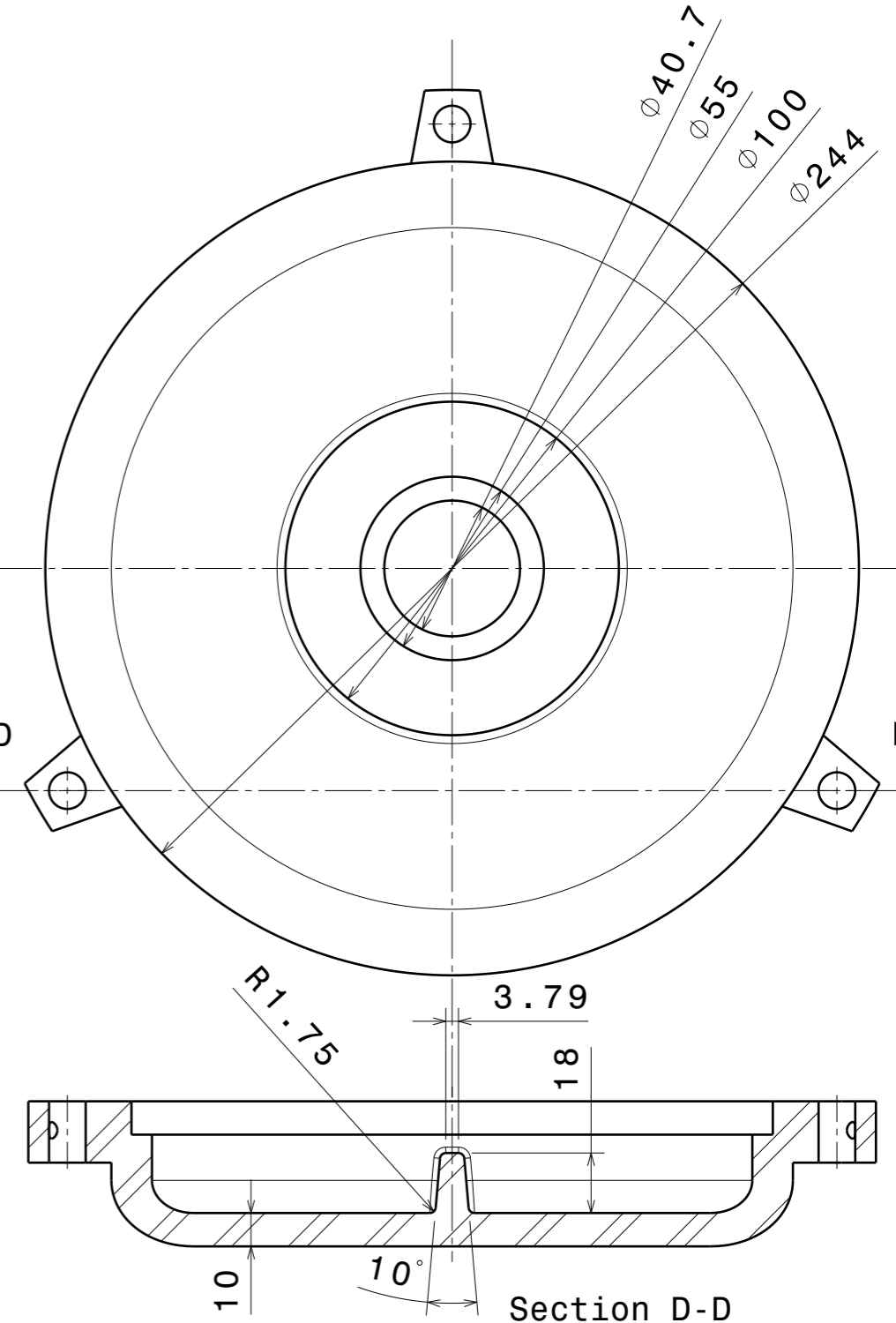
Num. 1

Sign. & date

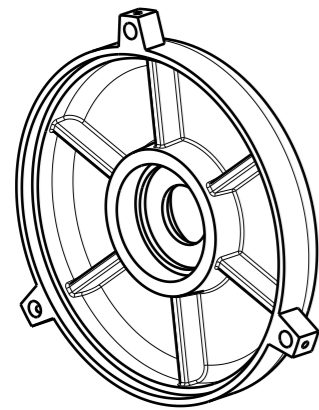
Num.



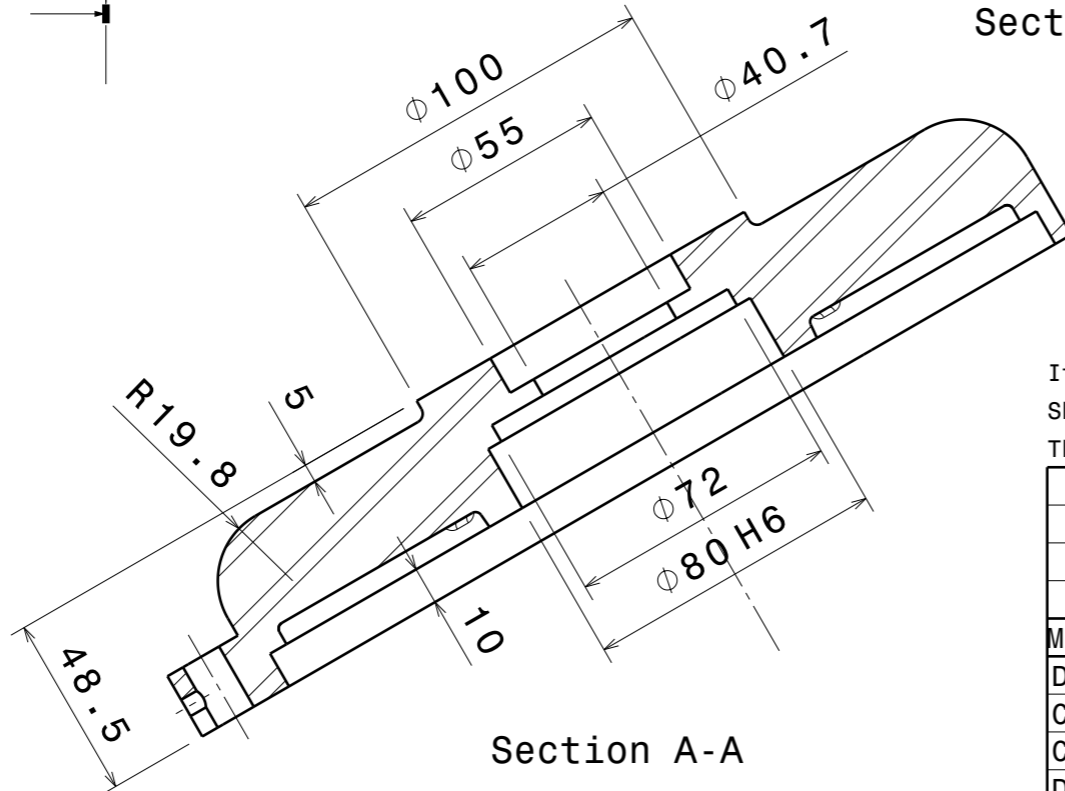
Section B-B



Section D-D



Scale 1:5



Section A-A

If not specified, tolerance of +/-0.1mm must be used.

Sharp edges must be removed.

This drawing cannot be reproduced or communicated without written agreement of Dr. A.Pulnikov.

				4A132M6-032-001		
				Bearing shield (fan side)		
				Cast iron		
				Pulnikov EC		
Mod Sh.	N. doc	Sign.	Date	Let	Weight	Scale
Design	Pulnikov	17/06/2020			6.21	1:2
Checked				Sheet 1 Sheets 1		
Control						
Depart.						
Control						
Appr.						