

Use

Num. 3

B

A

Sign. & date

Num. 2

Num. 1

Sign. & date

Mod Sh.

Design

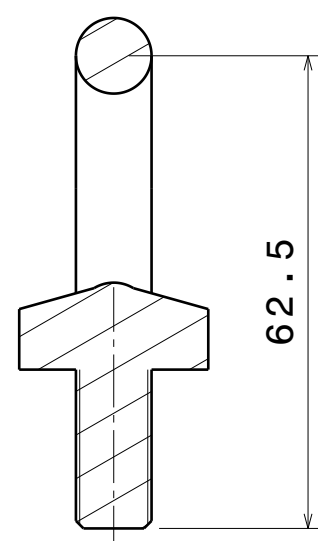
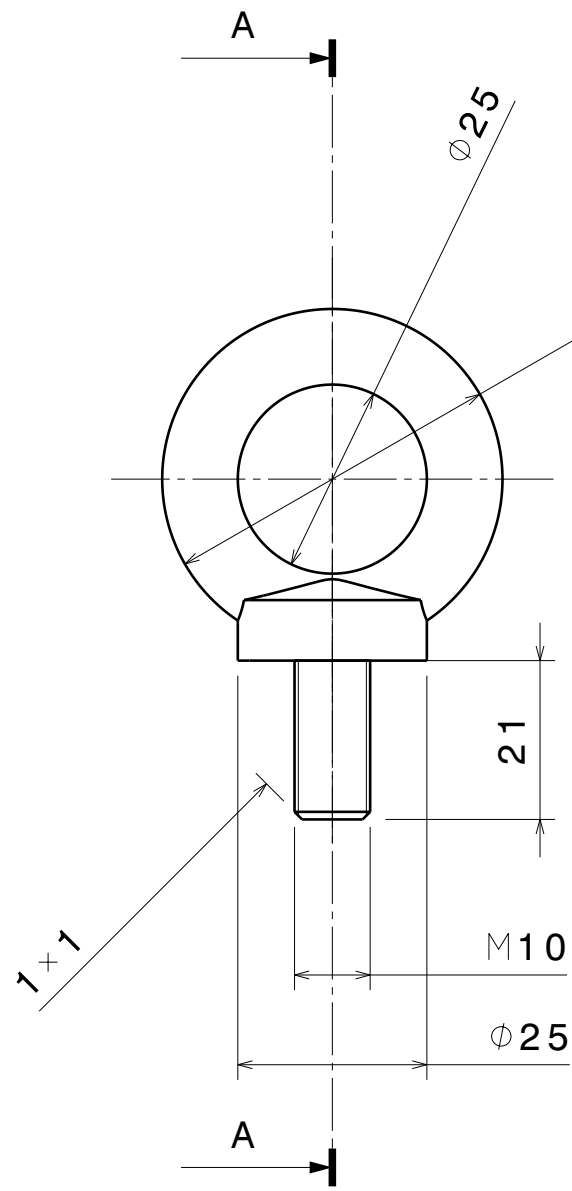
Checked

Control

Depart.

Control

Appr.



Scale 1:2

If not specified, tolerance of +/-0.1mm must be used.  
Sharp edges must be removed.

This drawing cannot be reproduced or communicated without written agreement of Dr. A.Pulnikov.

**4A132M6-063-001**

Eye bolt for housing

Let	Weight	Scale
	0.105	1:1
Sheet 1		Sheets 1

Steel

Pulnikov EC

4A132M6-063-001