

4AM160S4-012-001

Use

Num. 3

B

A

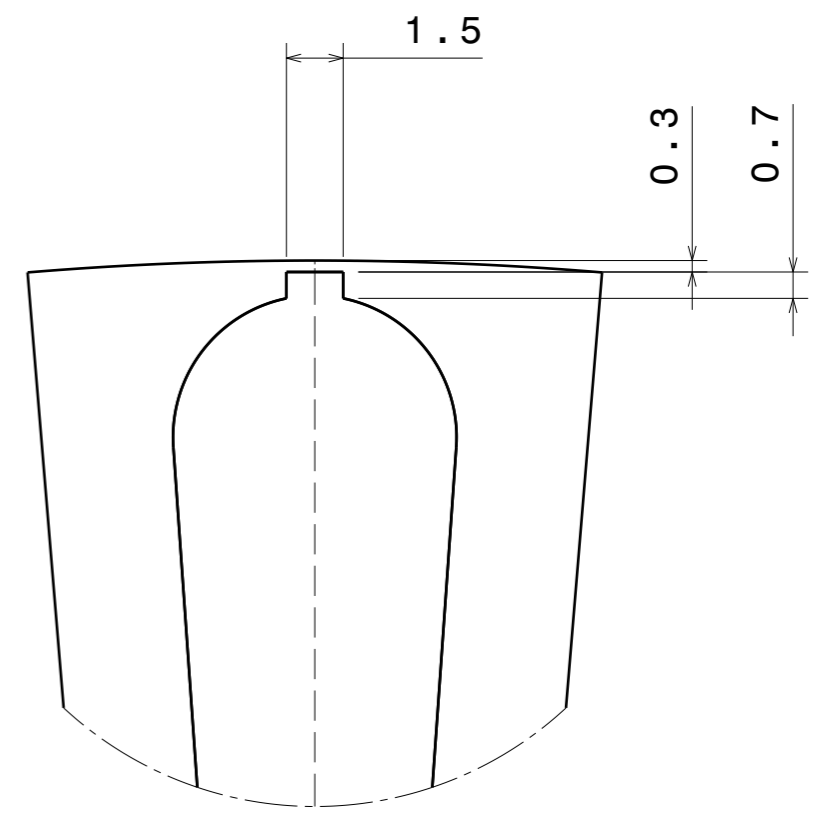
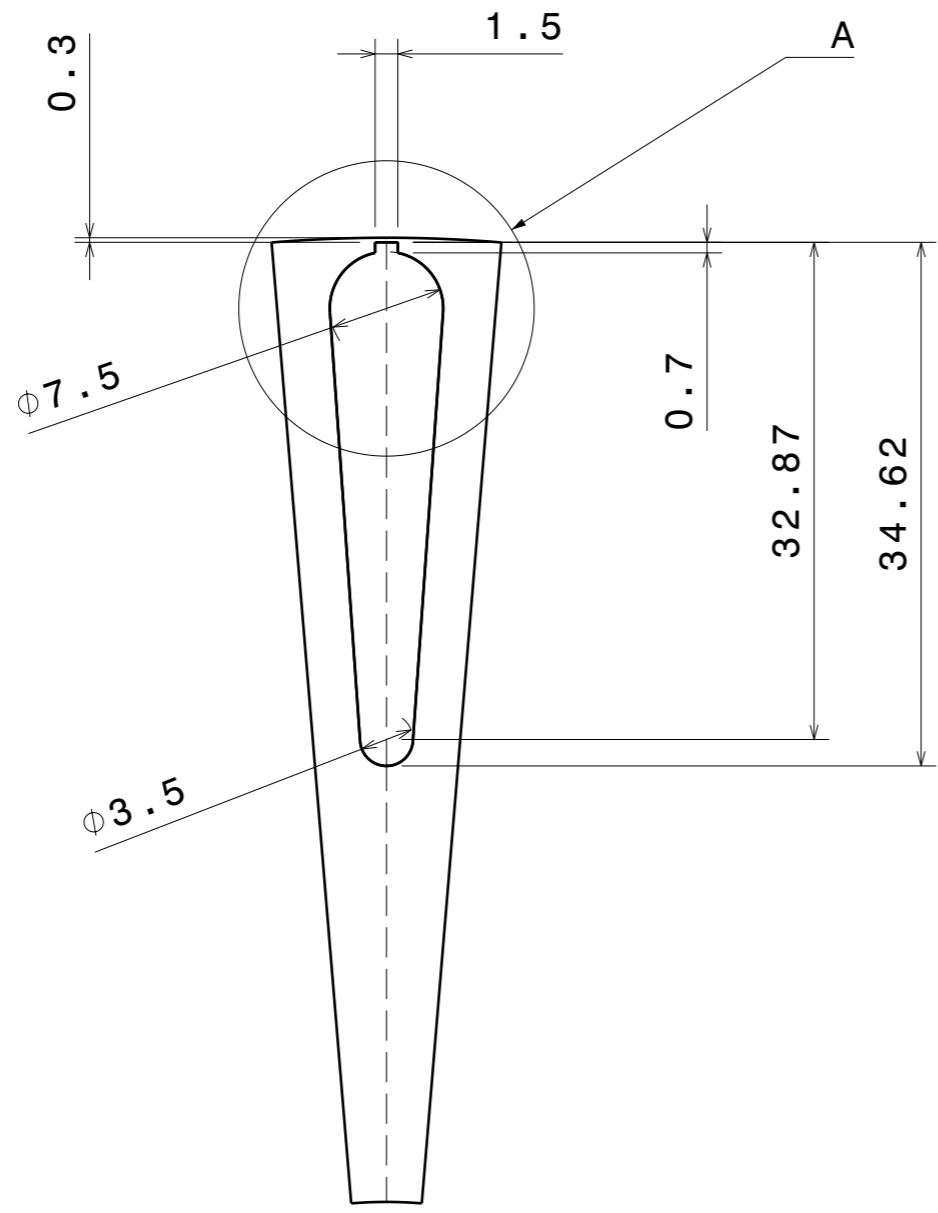
Sign. & date

Num. 2

Num. 1

Sign. & date

Num.



Detail View A, Scale 5:1

If not specified, tolerance of +/-0.1mm must be used.
 Sharp edges must be removed.
 This drawing cannot be reproduced or communicated without written agreement of Dr. A.Pulnikov.

					4AM160S4-012-001				
					Rotor slot		Let	Weight	Scale
Mod	Sh.	N. doc	Sign.	Date				-	1:1
					M250-50A		Sheet 1		Sheets 1
Design		Müller	4/12/2019				Pulnikov EC		
Checked		Schmidt			1 Pulnikov EC				
Control							A3 ISO		
Depart.					1 Pulnikov EC				
Control							1 Pulnikov EC		
Appr.		Pulnikov			1 Pulnikov EC				
							1 Pulnikov EC		
					1 Pulnikov EC				
							1 Pulnikov EC		