

4AM160S4-013-001

Use

Num. 3

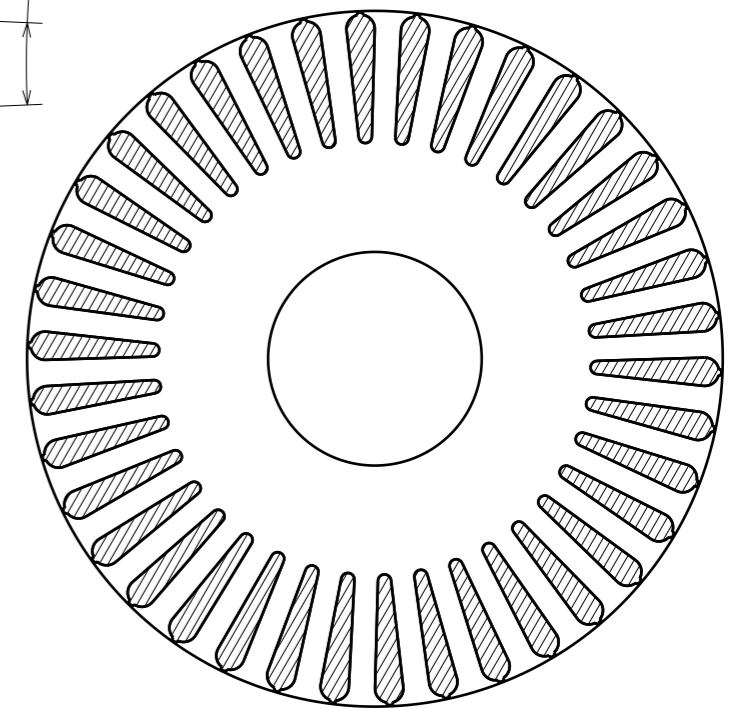
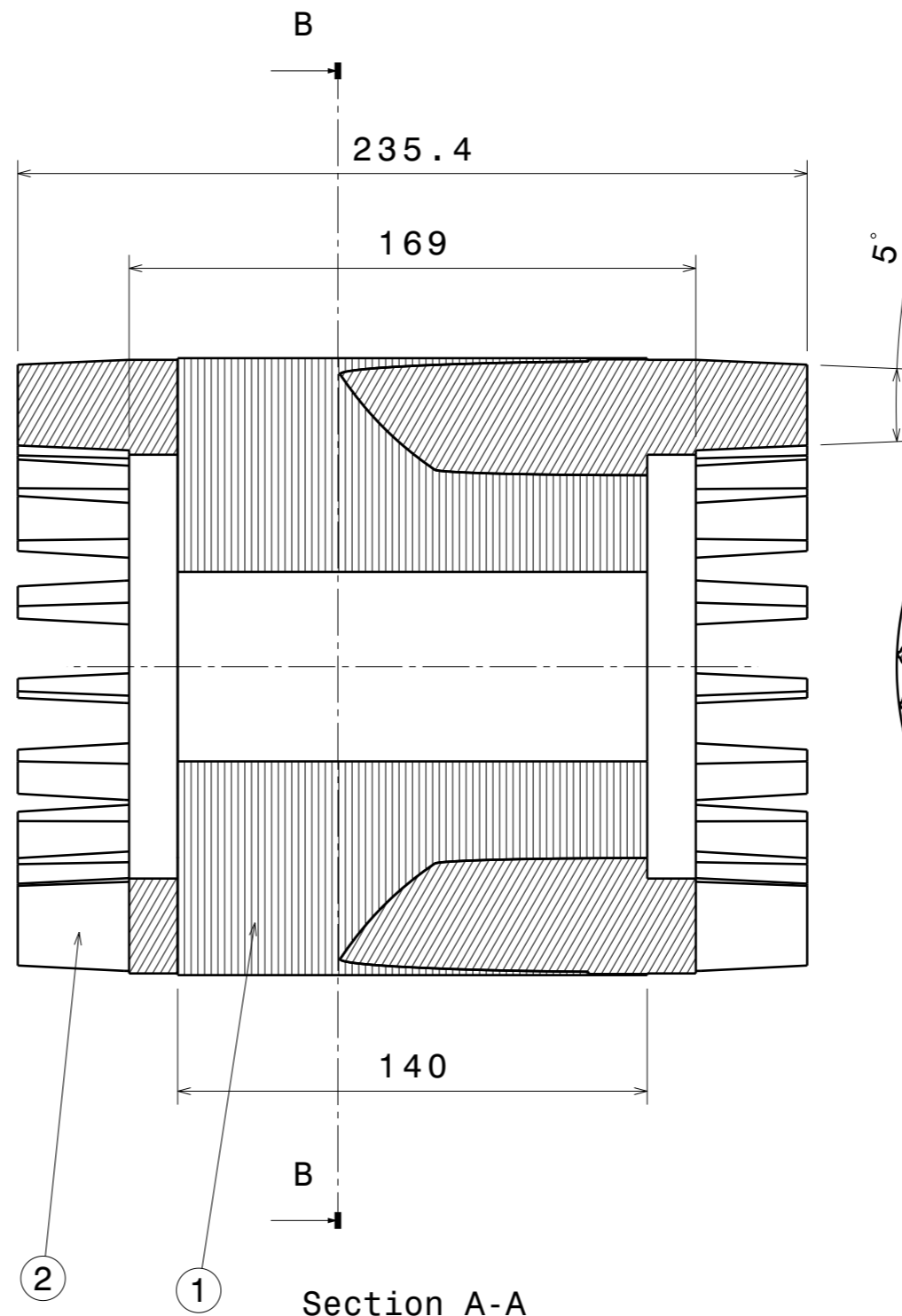
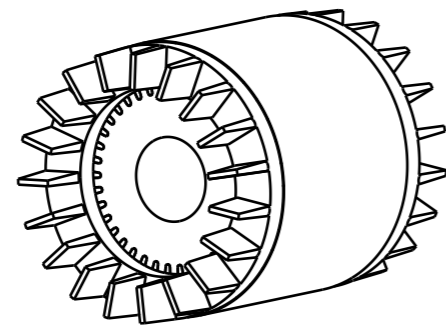
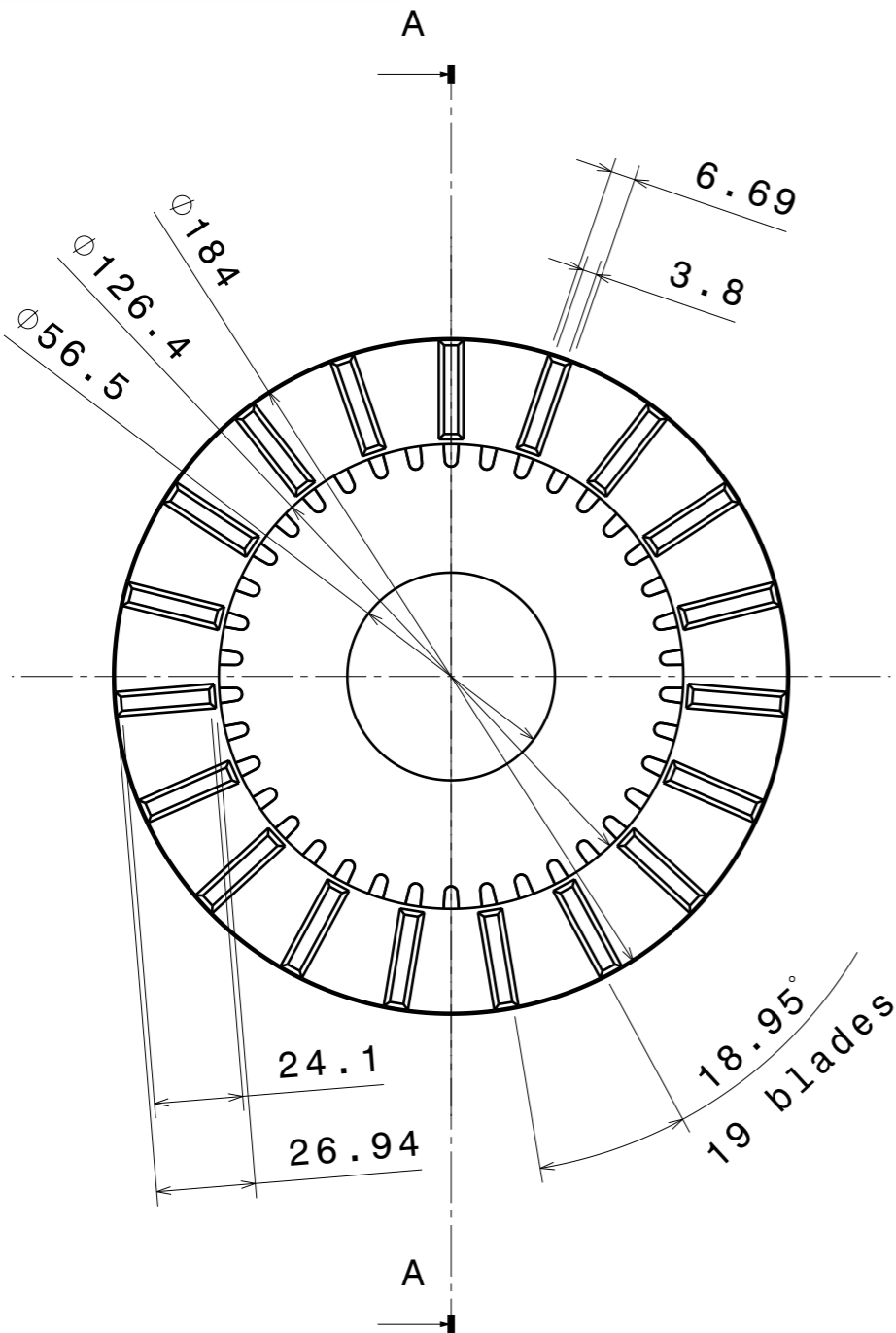
Sign. & date

Num. 2

Num. 1

Sign. & date

Num.



Section B-B

Section A-A

If not specified, tolerance of +/-0.1mm must be used.
 Sharp edges must be removed.
 This drawing cannot be reproduced or communicated without written agreement of Dr. A.Pulnikov.

Item	Qty	Unit	Part-No	Description	Remarks
1	18.8	kg	4AM160S4-011-001	Laminated core	M250-50A
2	4.2	kg		Squirrel cage	Aluminum

4AM160S4-013-001					Let	Weight	Scale
Mod	Sh.	N. doc	Sign.	Date		23	1:2
Design		Müller	4/12/2019				
Checked		Schmidt					
Control							
Depart.							
Control							
Appr.		Pulnikov					
Rotor (laminated core with cage)					Sheet 1	Sheets 1	
Different materials					Pulnikov EC		