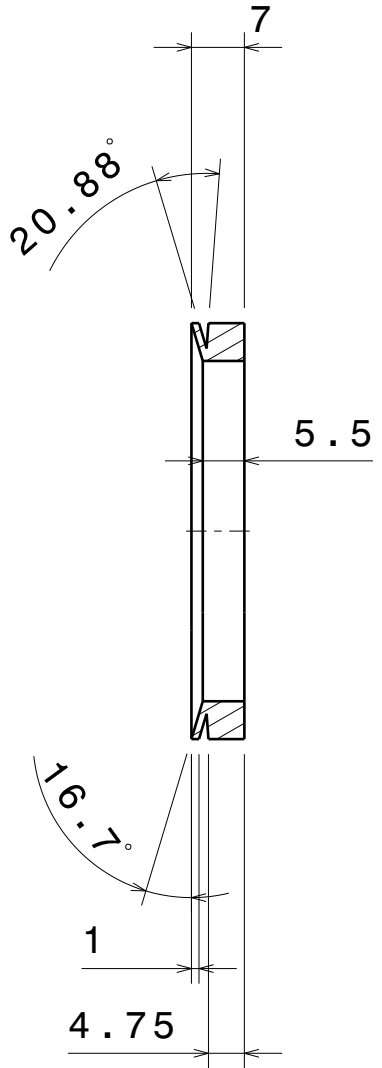
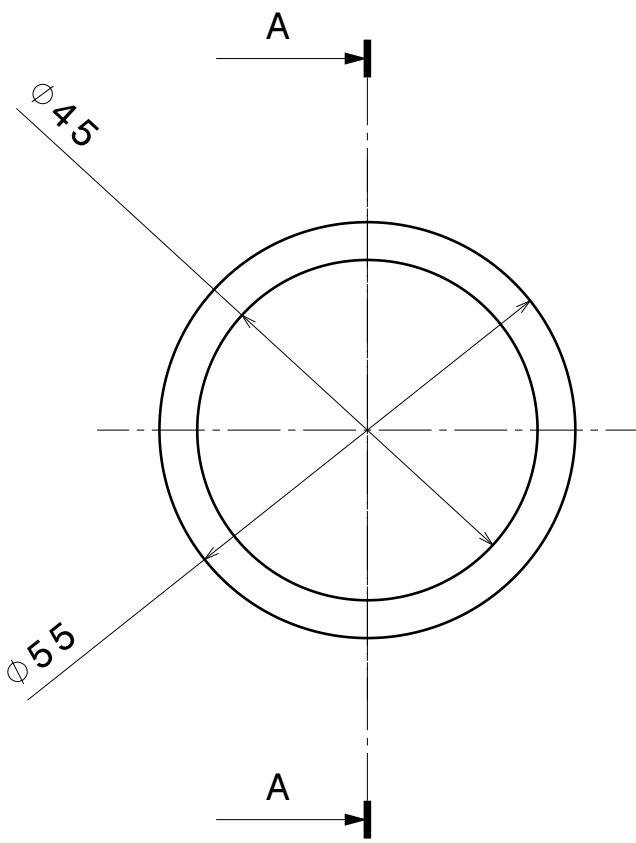
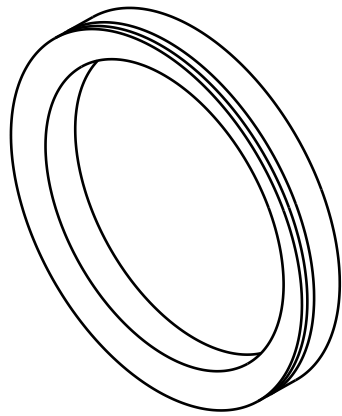


Use	Num. 3	B
A		



Section A-A



4AM160S4-064-001

This is a standard component.
 If not specified, tolerance of +/-0.1mm must be used.
 Sharp edges must be removed.

This drawing cannot be reproduced or communicated without written agreement of Dr. A.Pulnikov.

Sign. & date	4AM160S4-064-001						
	Mod	Sh.	N. doc	Sign.	Date		
Design		Müller	3/12/2019				
Checked		Schmidt					
Control							
Depart.							
Control							
Appr.		Pulnikov					
Seal drive side					Let	Weight	Scale
						0.006	1:1
Rubber					Sheet 1		Sheets 1
					Pulnikov EC		