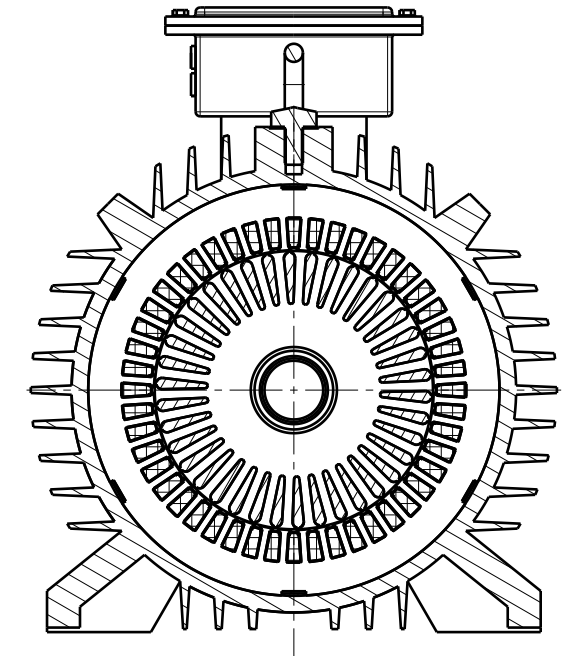
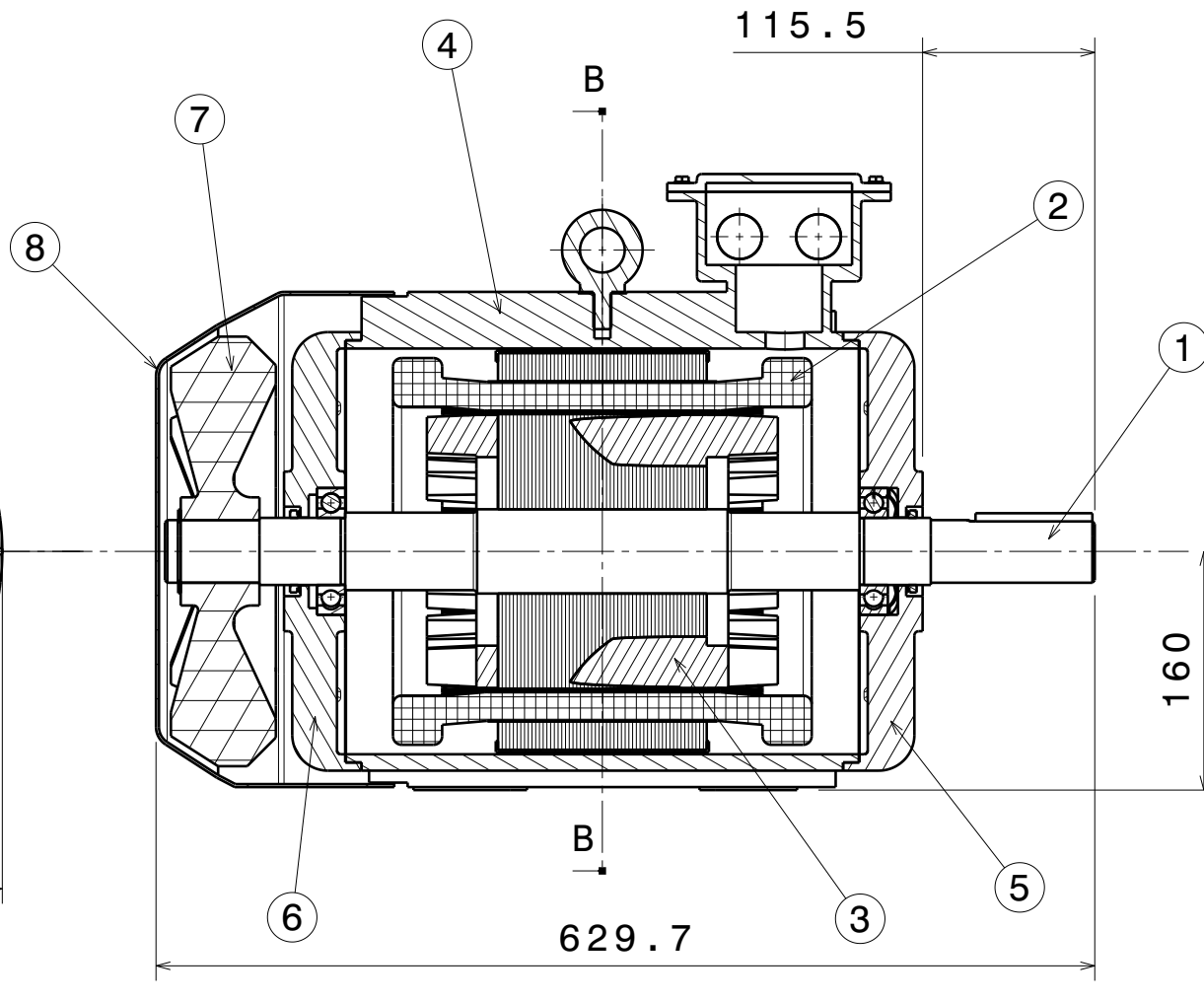
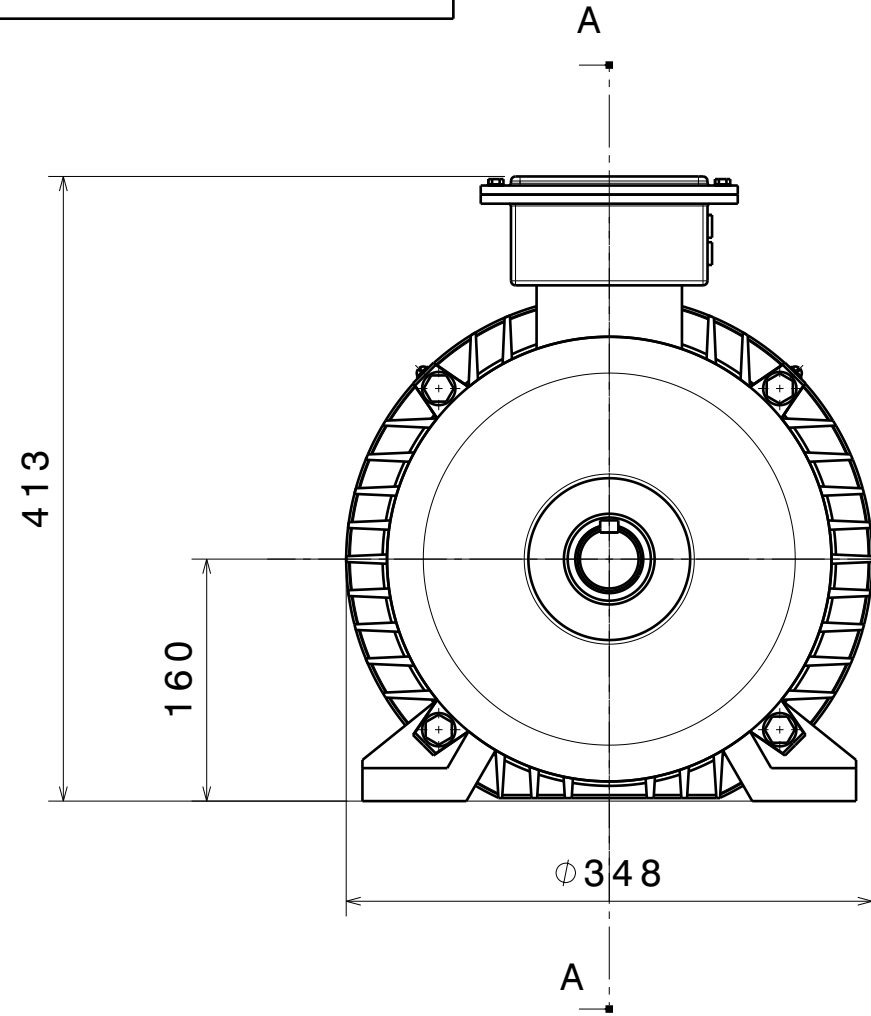
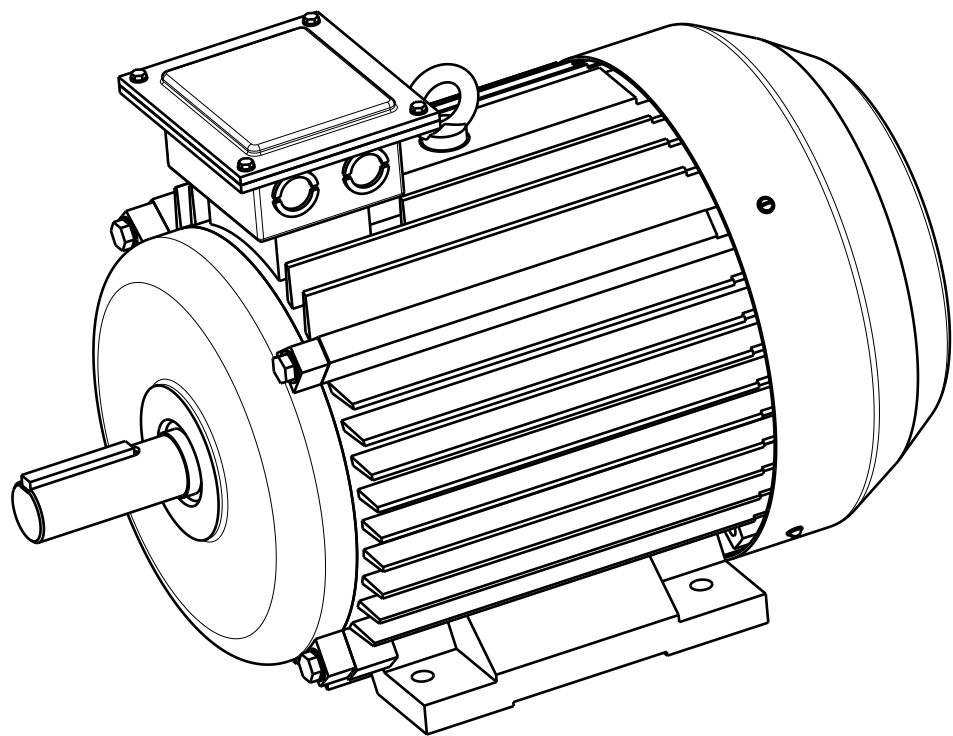


4AM160S4-100-001



Section A-A

Section B-B



Item	Qty	Unit	Part-No	Description	Remarks
1	9.46	kg	4AM160S4-010-001	Shaft	
2	42.4	kg	4AM160S4-024-001	Stator	
3	23	kg	4AM160S4-013-001	Rotor	
4	18.7	kg	4AM160S4-030-001	Housing	
5	10	kg	4AM160S4-031-001	Bearing shield drive side	
6	9.83	kg	4AM160S4-032-001	Bearing shield fan side	
7	0.67	kg	4AM160S4-033-001	Fan	
8	0.56	kg	4AM160S4-034-001	Fan cover	

If not specified, tolerance of +/-0.1mm must be used.

Sharp edges must be removed.

This drawing cannot be reproduced or communicated without written agreement of Dr. A.Pulnikov.

				<b>4AM160S4-100-001</b>			
				Asynchronous motor assembly	Let	Weight	Scale
						108.9	1:5
				Different materials			
				Pulnikov EC			
Mod Sh.	N. doc	Sign.	Date				
Design	Pulnikov	18/12/2019					
Checked							
Control							
Depart.							
Control							
Appr.							

Use

Num. 3

B

A

Sign. & date

Num. 2

Num. 1

Sign. & date

Num.