

4A112M4-010-001

Use

Num. 3

B

A

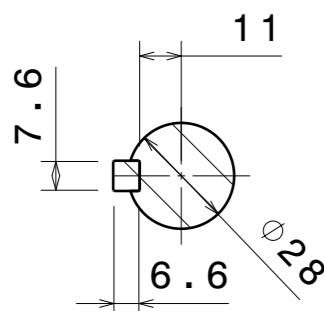
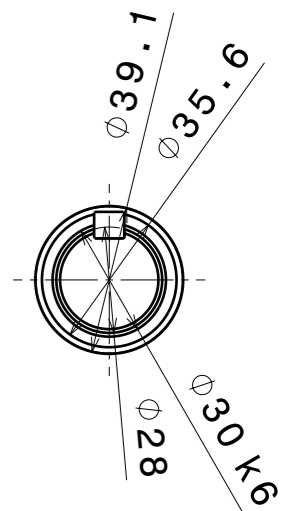
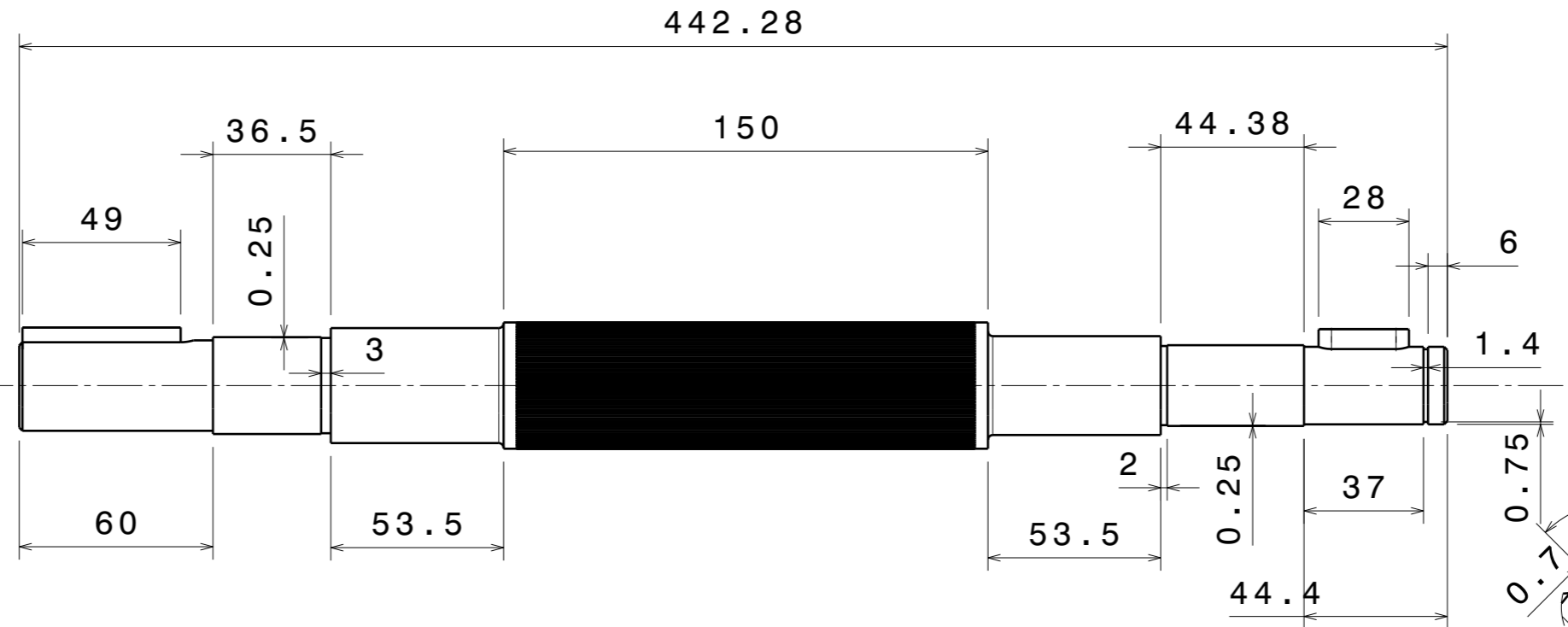
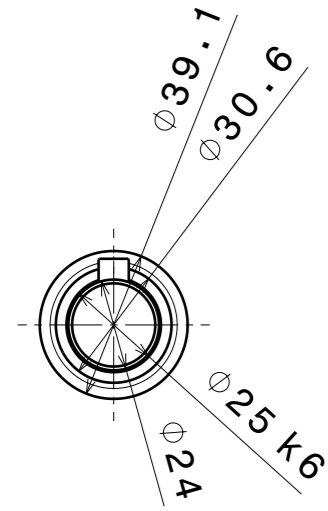
Sign. & date

Num. 2

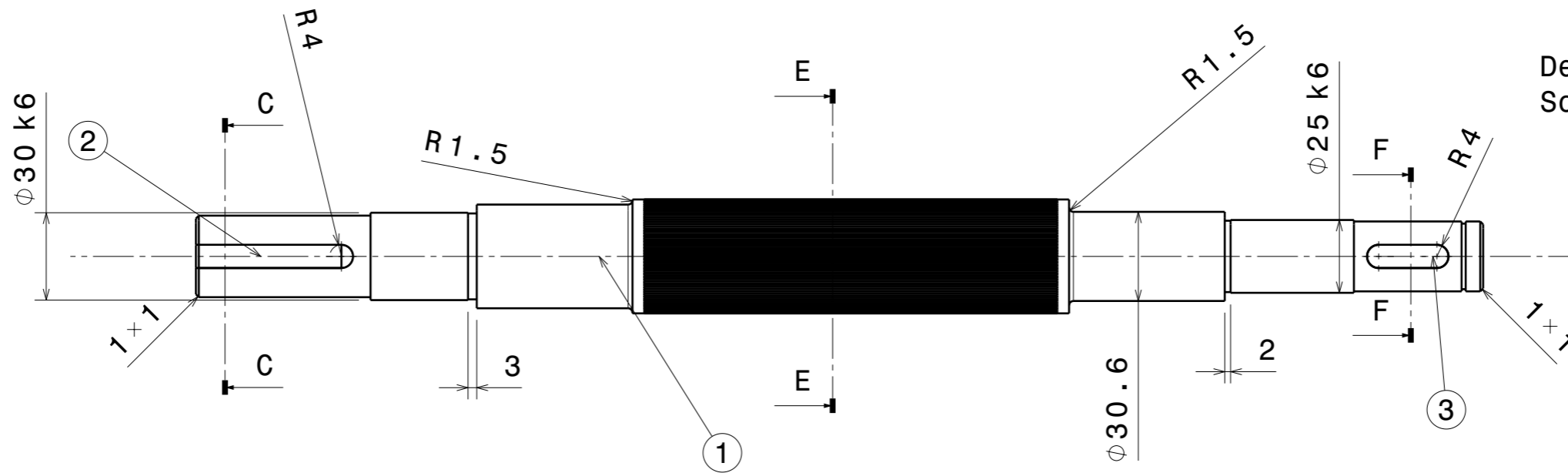
Num. 1

Sign. & date

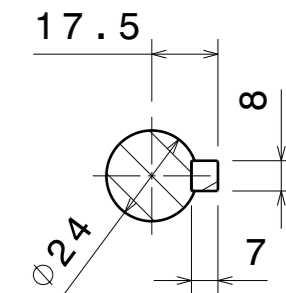
Num.



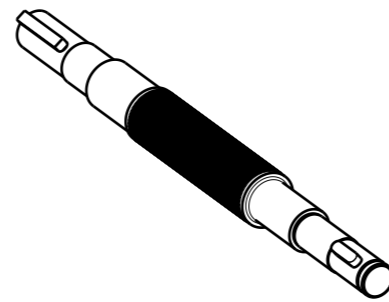
Section C-C



Detail view G
Scale: 5:1



Section E-E Section F-F



Scale 1:5

If not specified, tolerance of +/-0.1mm must be used.

Sharp edges must be removed.

This drawing cannot be reproduced or communicated without written agreement of Dr. A.Pulnikov.

Item	Qty	Unit	Part-No	Description	Remarks
1	1	pc		Shaft	Steel
2	1	pc		Cotter1	Steel
3	1	pc		Cotter2	Steel

				4A112M4-010-001				
Mod	Sh.	N. doc	Sign.	Date	Shaft and cotteners	Let	Weight	Scale
Design		Pulnikov	17/06/2020				2.98	1:2
Checked						Sheet 1	Sheets 1	
Control								
Depart.					Steel	Pulnikov EC		
Control								
Appr.								