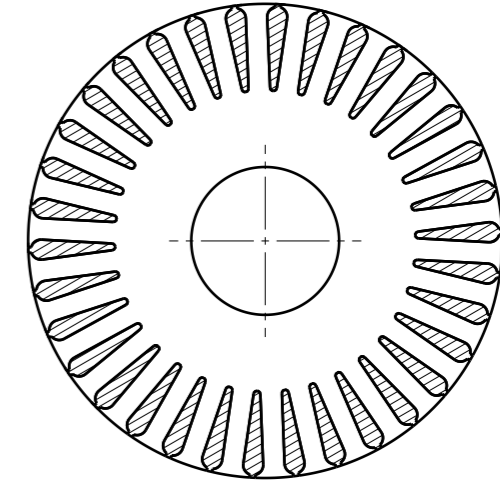
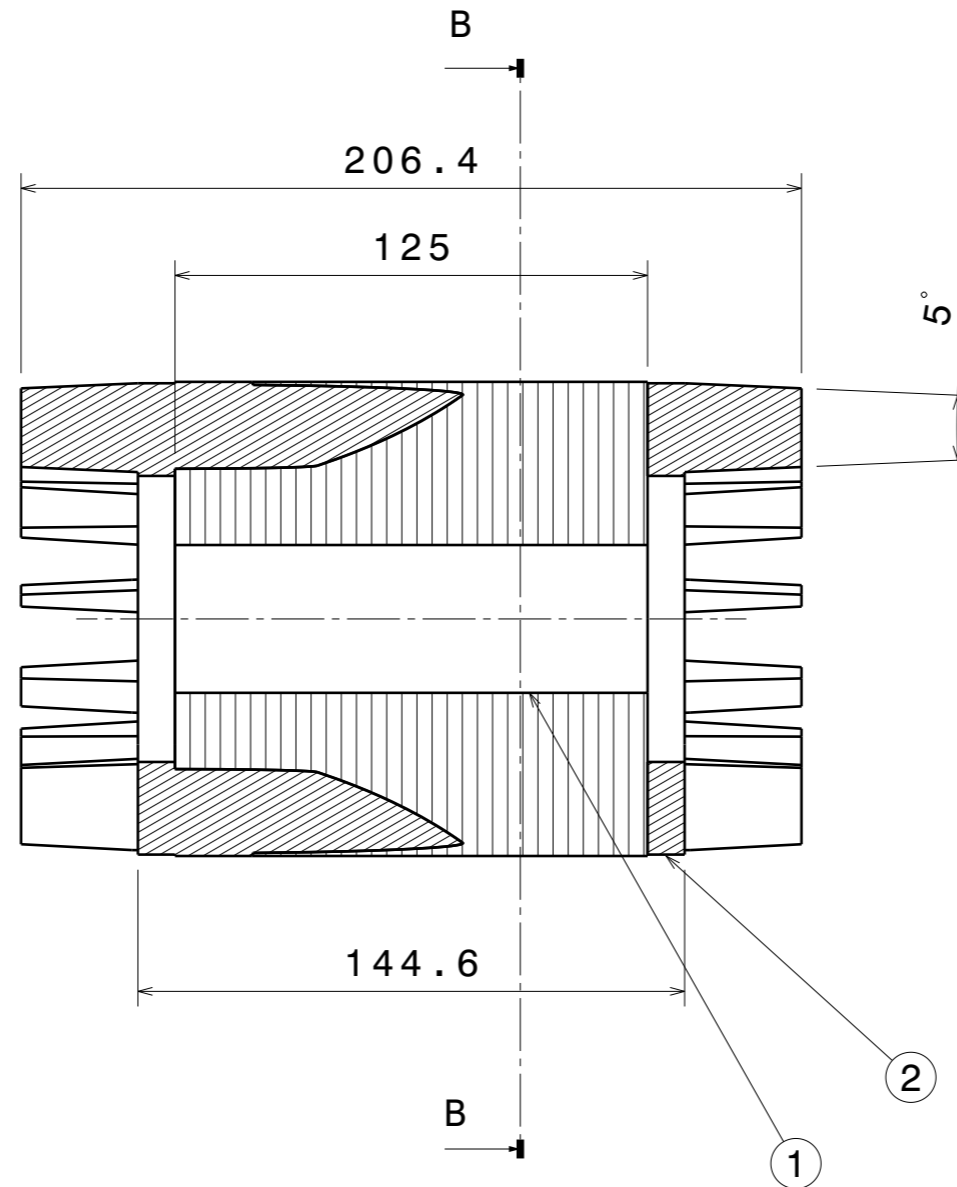
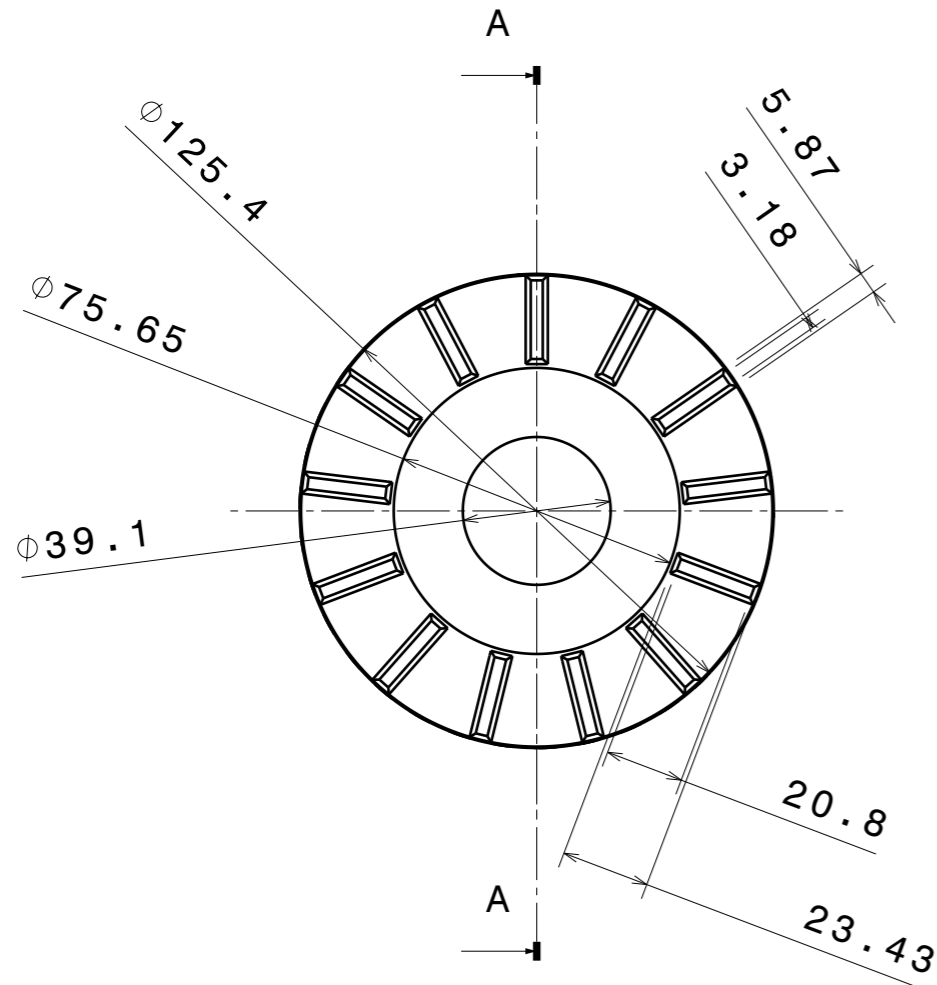
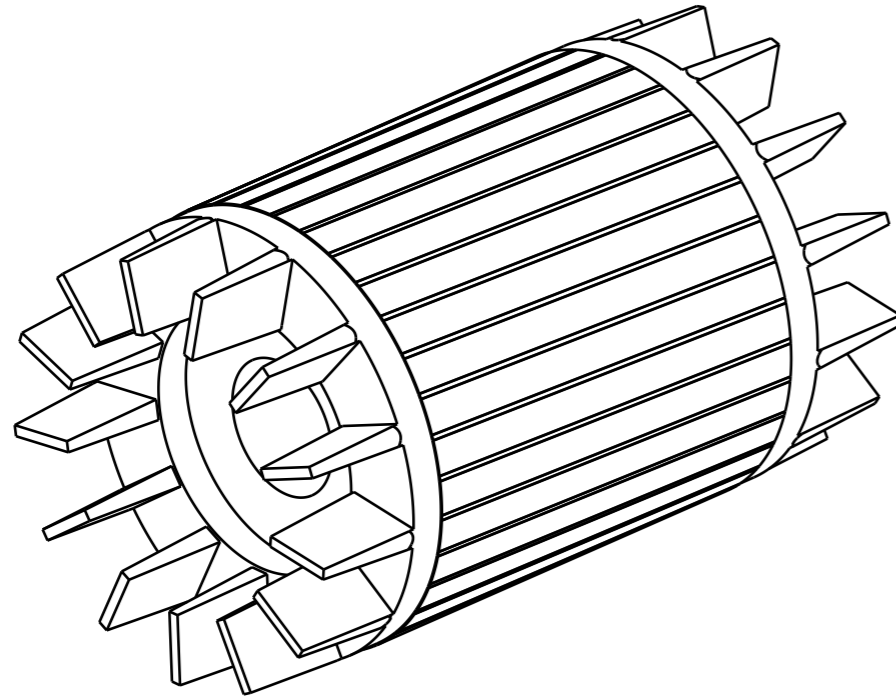


4A112M4-013-001



Section B-B



Section A-A

Item	Qty	Unit	Part-No	Description	Remarks
1	8.27	kg	4A112M4-011-001	Lamination stack	Steel-2013
2	1.55	kg		Squirrel cage	AlSi alloy

If not specified, tolerance of +/-0.1mm must be used.

Sharp edges must be removed.

This drawing cannot be reproduced or communicated without written agreement of Dr. A.Pulnikov.

					4A112M4-013-001			
Mod	Sh.	N. doc	Sign.	Date	Rotor (laminated core with cage)	Let	Weight	Scale
Design		Pulnikov	17/06/2020				9.83	1:2
Checked								
Control						Sheet 1	Sheets 1	
Depart.								
Control								
Appr.								
						Pulnikov EC		

Number of rotor blades (one side): 13; Skew of slots: 9.27mm
 Geometry of rotor lamination: 4A112M4-011-001

Use

Num. 3

B

A

Sign. & date

Num. 2

Num. 1

Sign. & date

Num.