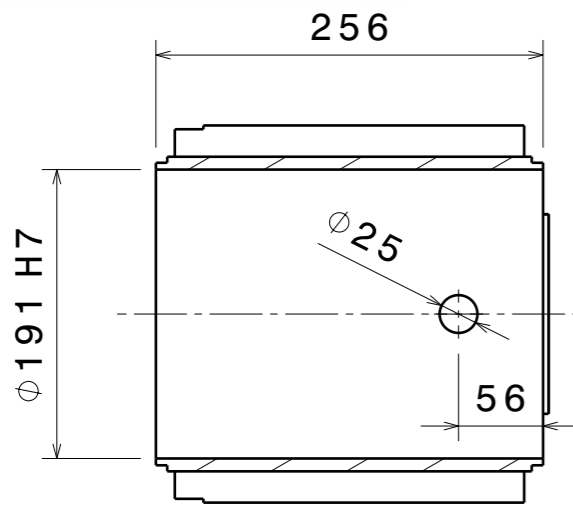
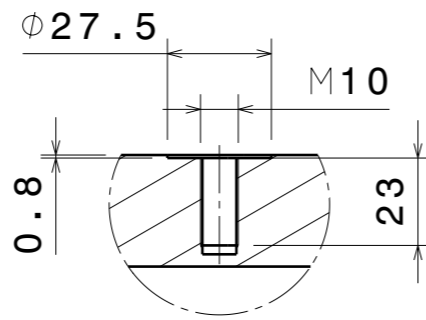


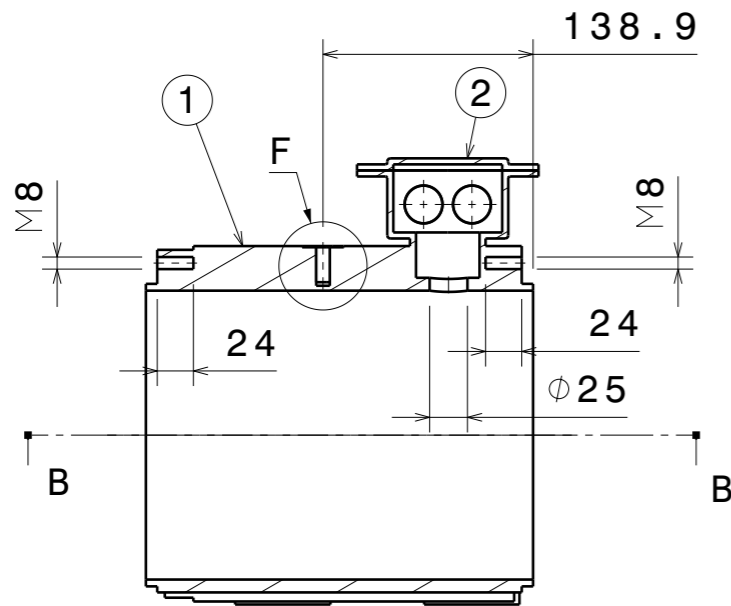
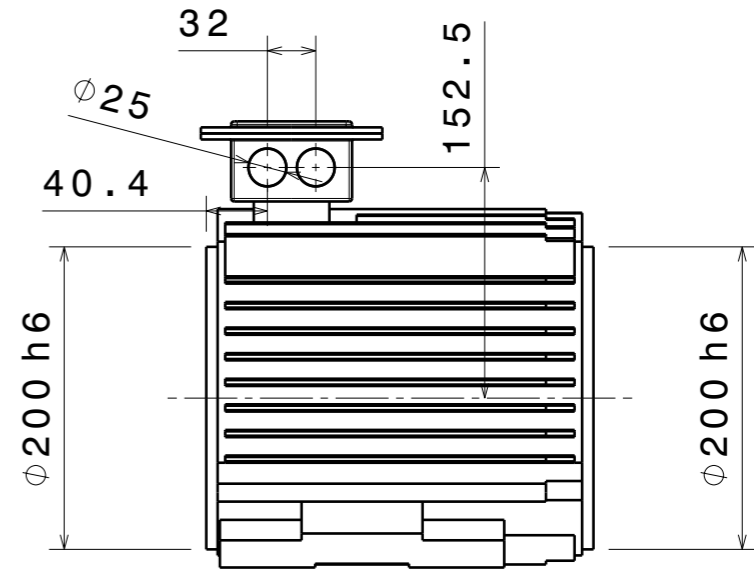
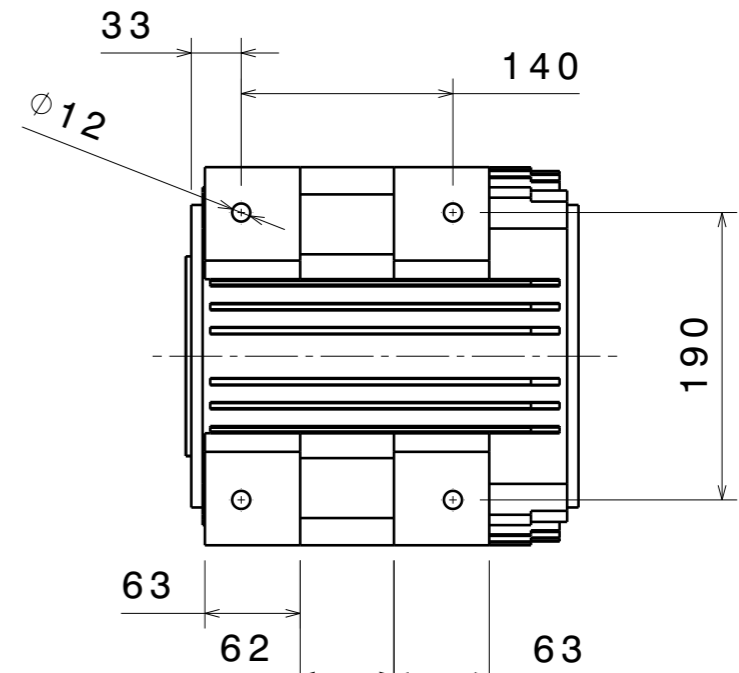
4A112M4-030-001



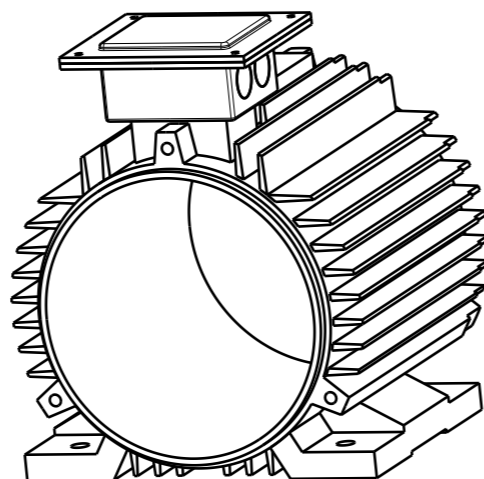
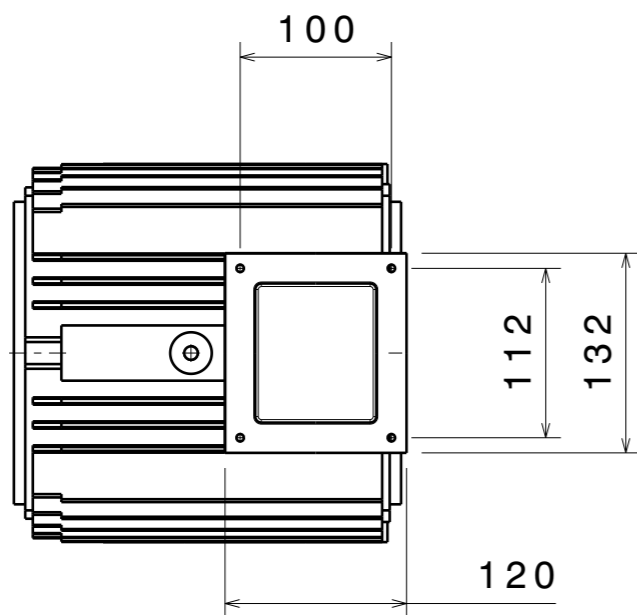
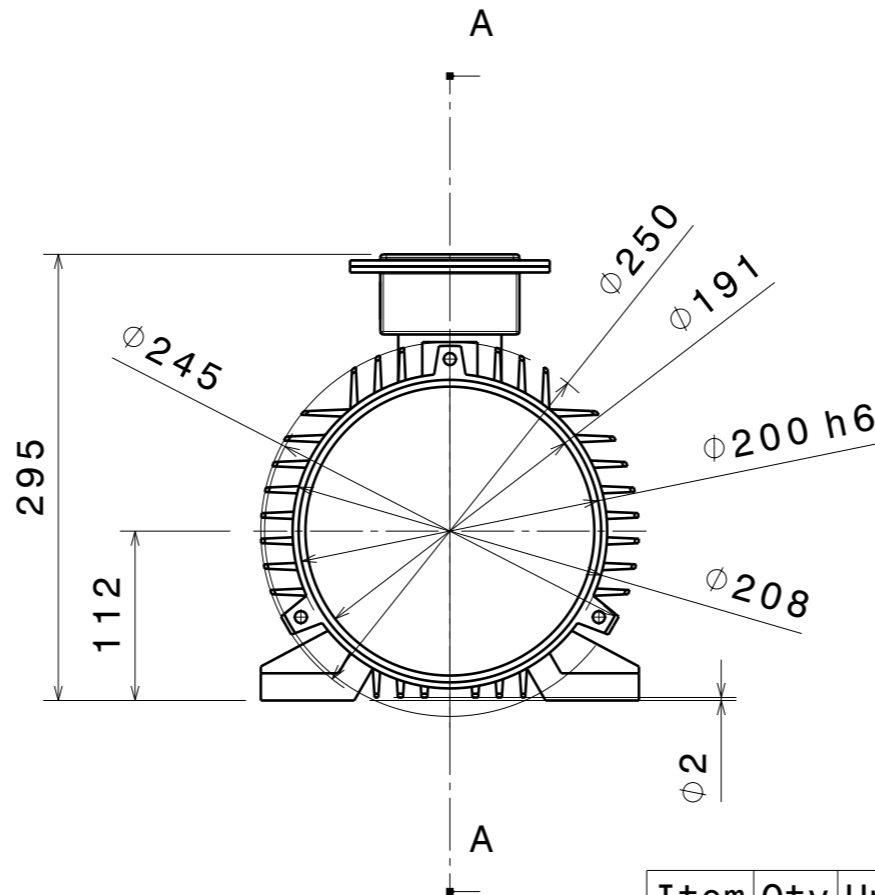
Section B-B



Detail view F
Scale: 1:2



Section A-A



Item	Qty	Unit	Part-No	Description	Remarks
1	1	pc		Housing	Cast iron
2	1	pc		Therminal box cover	Cast iron

If not specified, tolerance of +/-0.1mm must be used.

Sharp edges must be removed.

This drawing cannot be reproduced or communicated without written agreement of Dr. A.Pulnikov.

				4A112M4-030-001			
				Housing and terminal box	Let	Weight	Scale
						22	1:5
				Cast iron		Pulnikov EC	
				1 Pulnikov EC		A3 ISO	

Use

Num. 3

B

A

Sign. & date

Num. 2

Num. 1

Sign. & date

Num.