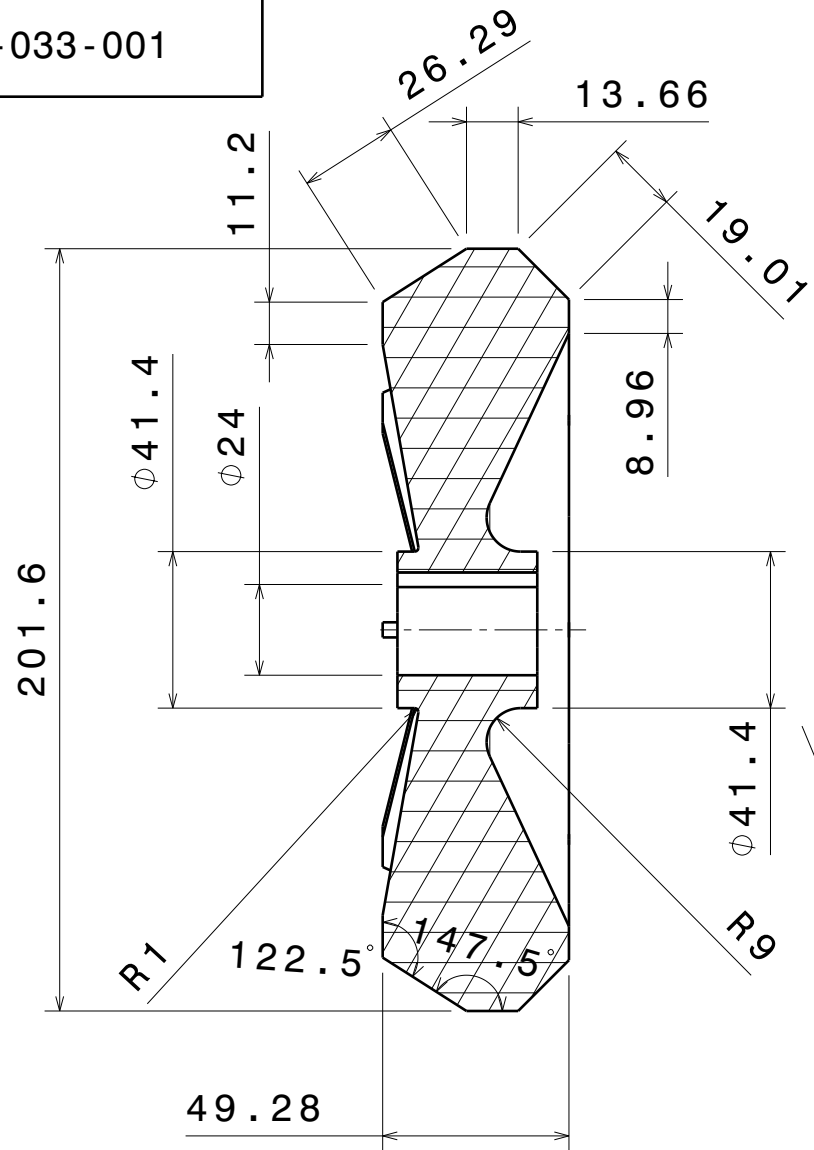
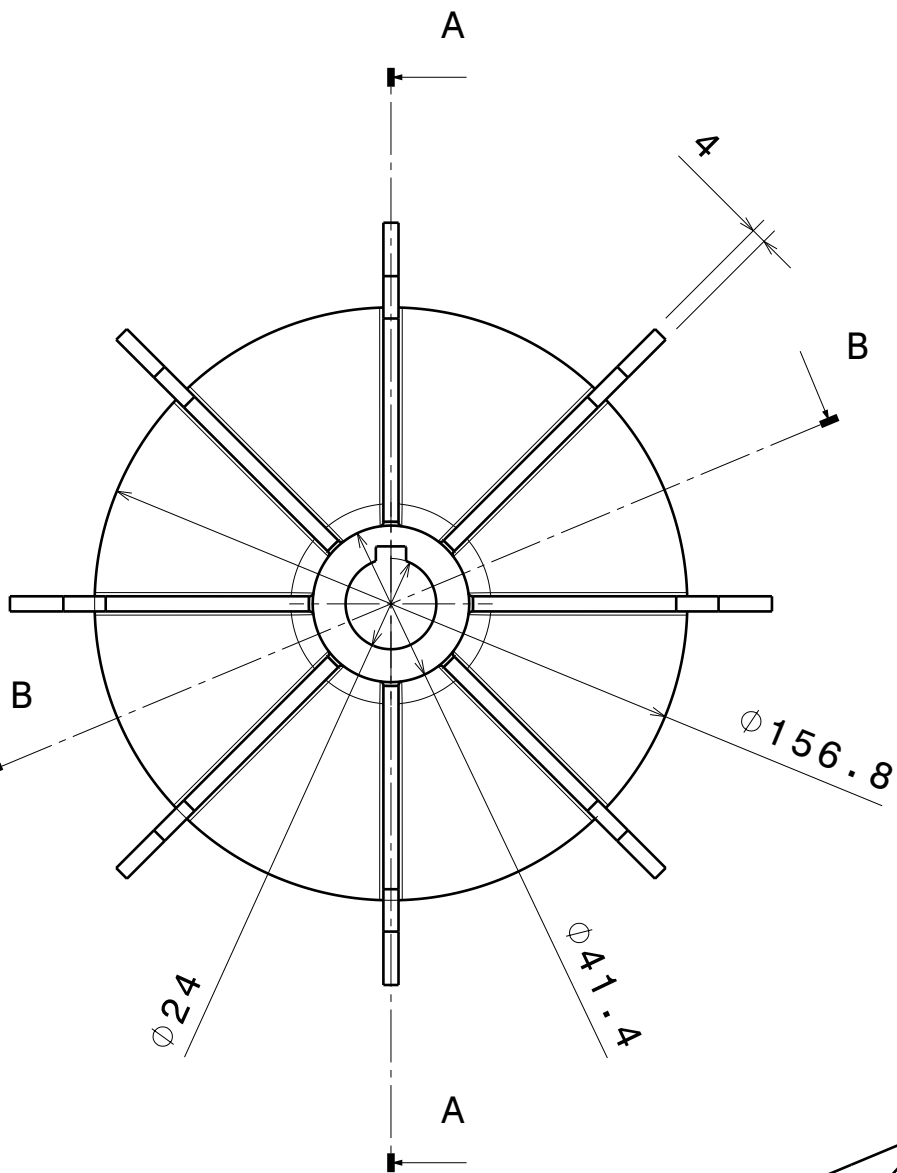
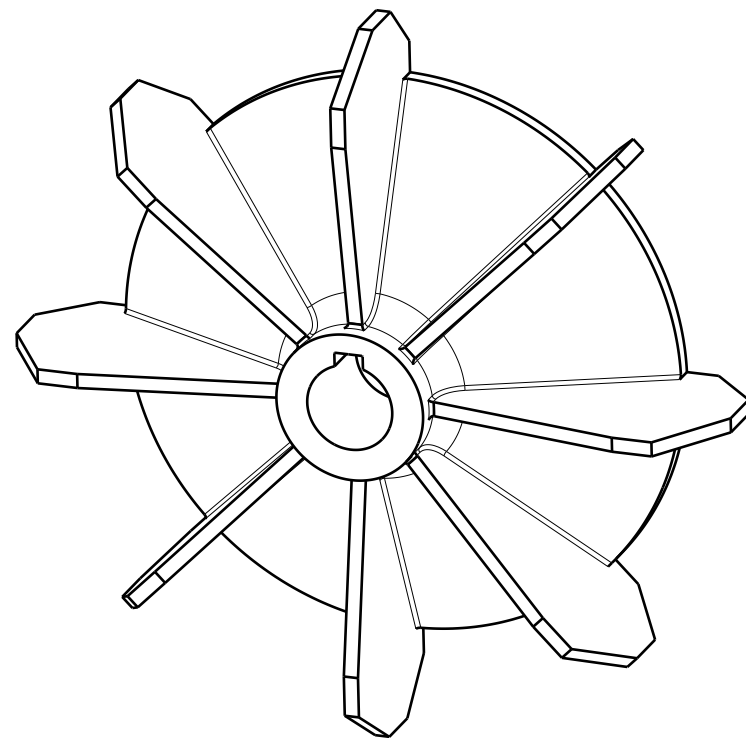


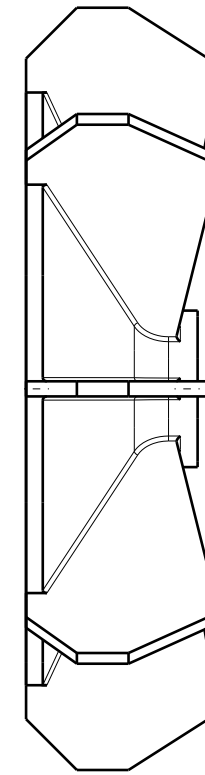
4A112M4-033-001



Section A-A



Section B-B



If not specified, tolerance of +/-0.1mm must be used.

Sharp edges must be removed.

This drawing cannot be reproduced or communicated without written agreement of Dr. A.Pulnikov.

				4A112M4-033-001			
				Fan	Let	Weight	Scale
						0.618	1:2
Mod	Sh.	N. doc	Sign.	Date	Sheet 1 Sheets 1		
Design		Pulnikov	17/06/2020				
Checked							
Control							
Depart.							
Control							
Appr.							
				Aluminum		Pulnikov EC	

Use

Num. 3

B

A

Sign. & date

Num. 2

Num. 1

Sign. & date

Num.