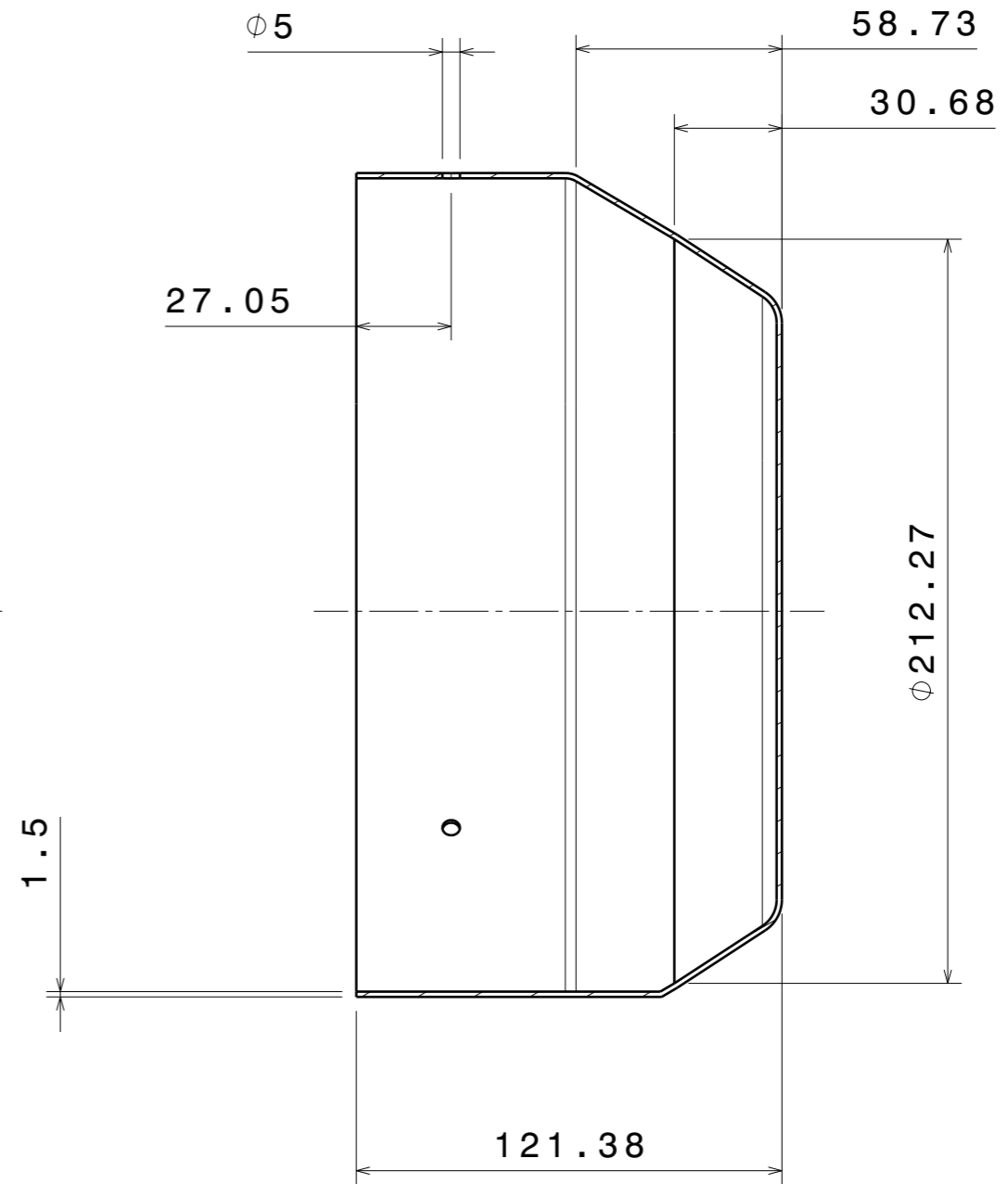
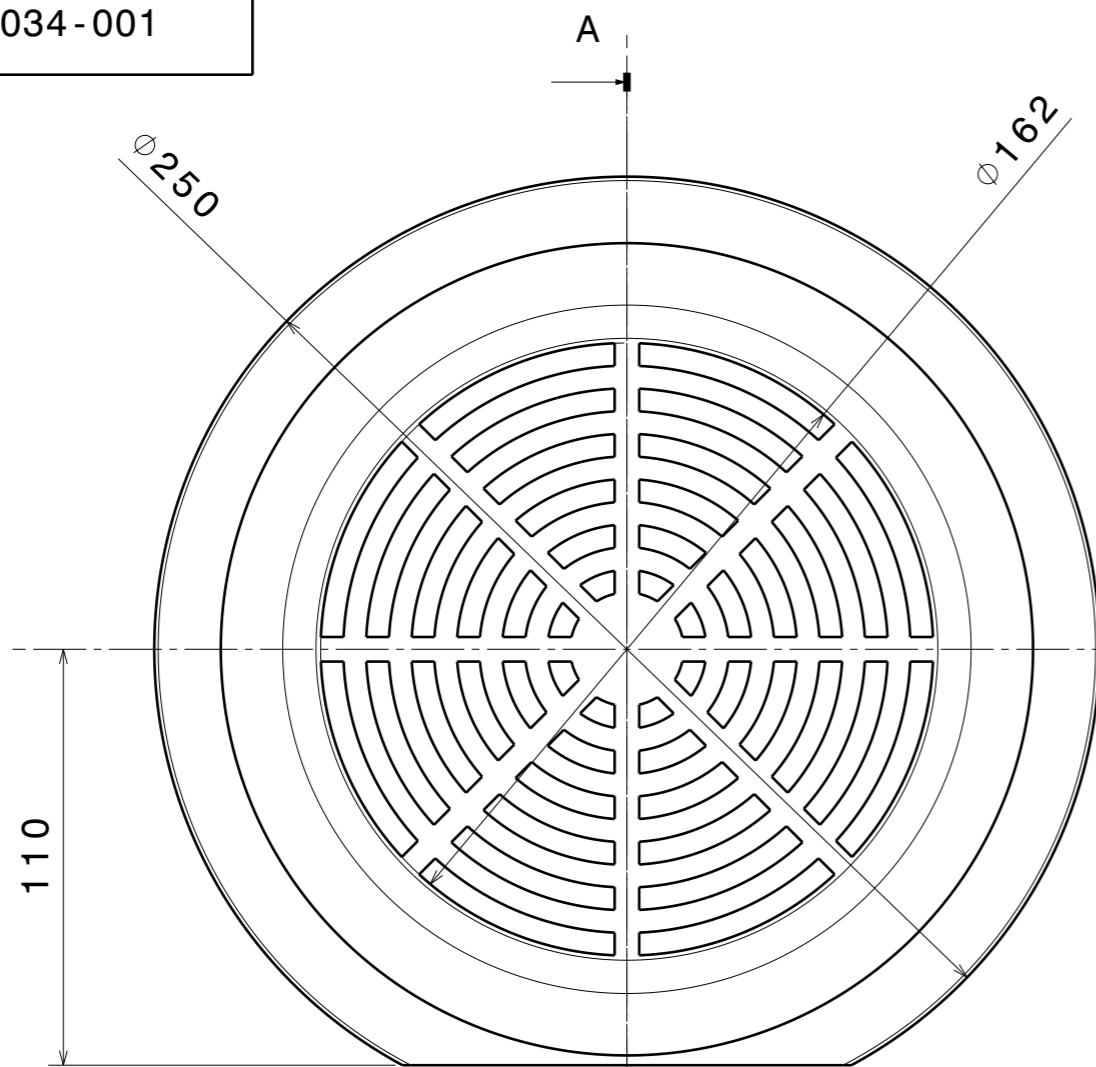
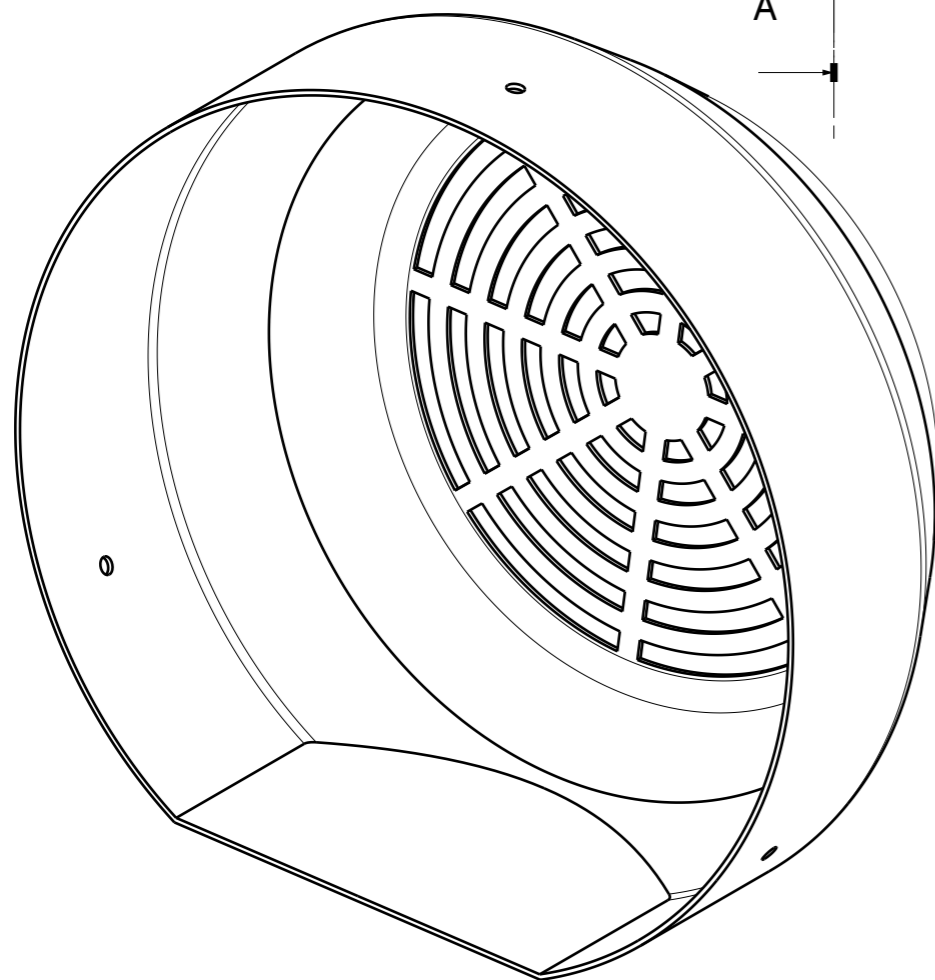


4A112M4-034-001



Section A-A



If not specified, tolerance of +/-0.1mm must be used.

Sharp edges must be removed.

This drawing cannot be reproduced or communicated without written agreement of Dr. A.Pulnikov.

					4A112M4-034-001			
Mod	Sh.	N. doc	Sign.	Date	Fan cover	Let	Weight	Scale
Design		Pulnikov	17/06/2020				1.28	1:2
Checked						Sheet 1	Sheets 1	
Control					Steel	Pulnikov EC		
Depart.								
Control								
Appr.								

Use

Num. 3

B

A

Sign. & date

Num. 2

Num. 1

Sign. & date

Num.