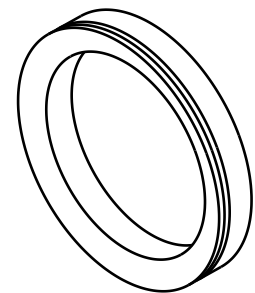
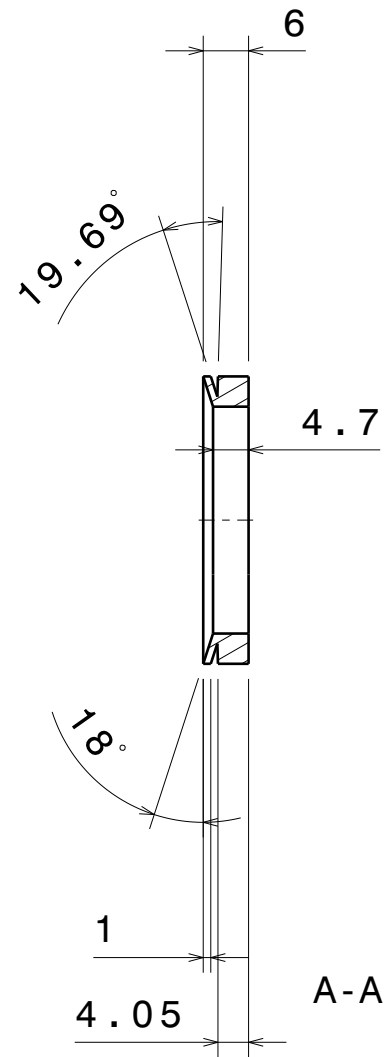
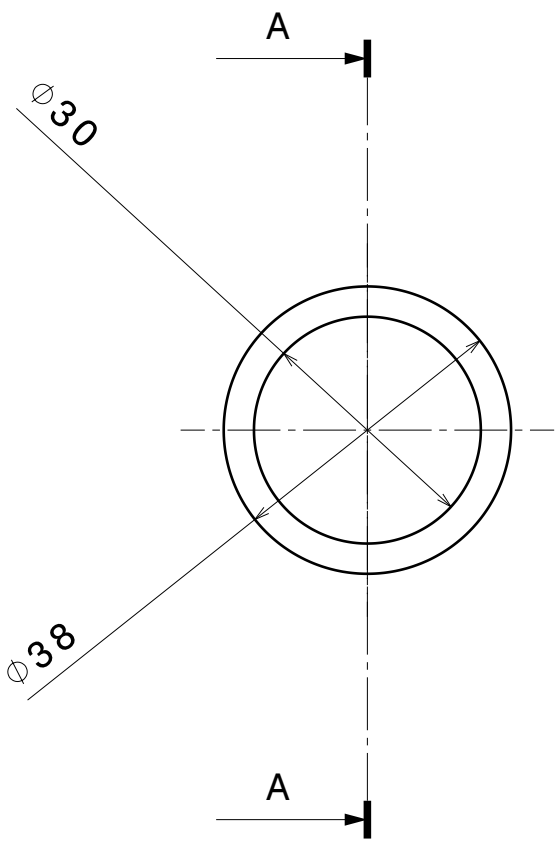


Use	Num. 3	B
A		



4A112M4-064-001

If not specified, tolerance of +/-0.1mm must be used.
Sharp edges must be removed.

This drawing cannot be reproduced or communicated without written agreement of Dr. A.Pulnikov.

Sign. & date	4A112M4-064-001			
	Mod	Sh.	N. doc	Sign. Date
Design		Pulnikov	17/06/2020	
Checked				
Control				
Depart.				
Control				
Appr.				
Seal drive side				Let
Rubber				Weight
				Scale
Sheet 1		Sheets 1		
Pulnikov EC				0.002
				1:1