

4A132M6-010-001

Use

Num. 3

B

A

Sign. & date

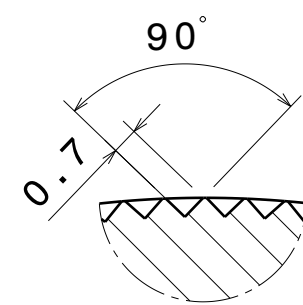
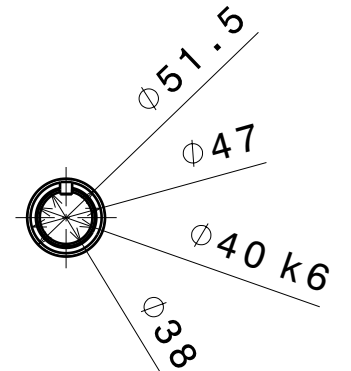
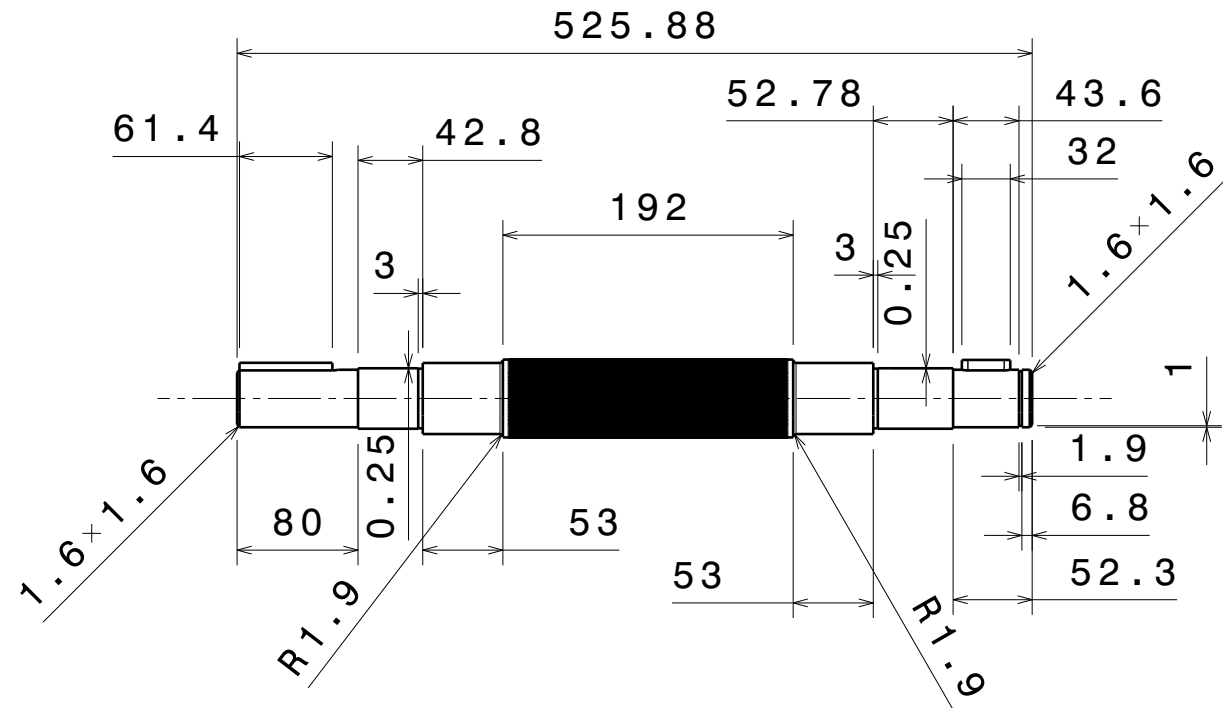
Num. 2

Num. 1

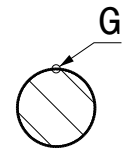
Sign. & date

Num.

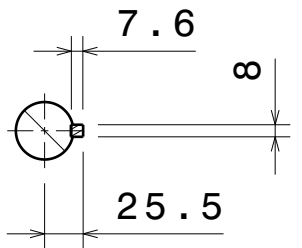
Item	Qty	Unit	Part-No	Description	Remarks
1	1	pc		Shaft	Steel
2	1	pc		Cotter1	Steel
3	1	pc		Cotter2	Steel



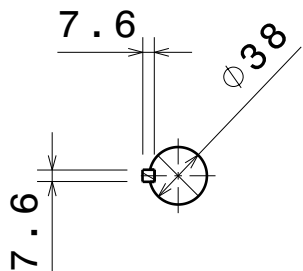
Detail view G
Scale: 5:1



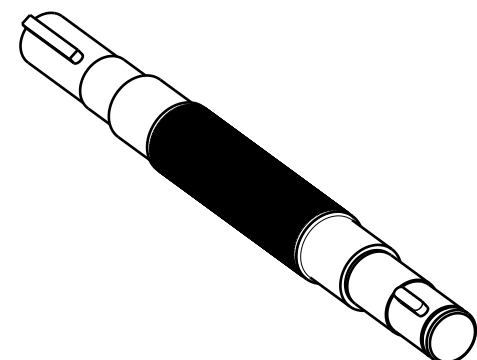
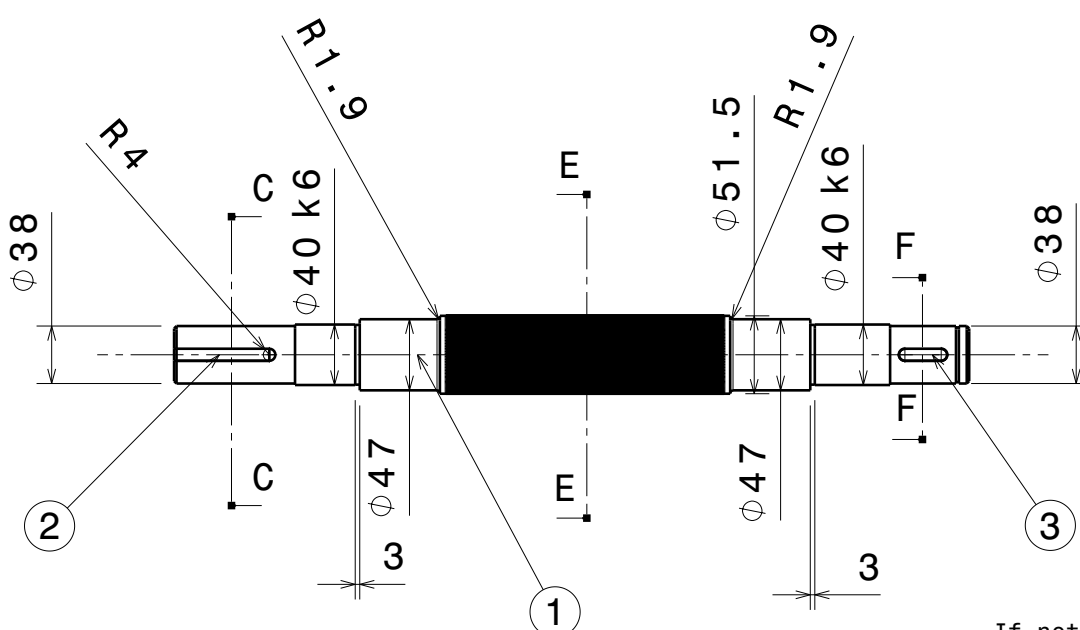
Section E-E



Section F-F



Section C-C



If not specified, tolerance of +/-0.1mm must be used.
Sharp edges must be removed.
This drawing cannot be reproduced or communicated without written agreement of Dr. A.Pulnikov.

				4A132M6-010-001				
Mod	Sh.	N. doc	Sign.	Date	Shaft and cotters	Let	Weight	Scale
Design		Pulnikov	17/06/2020				6.73	1:5
Checked						Sheet 1	Sheets 1	
Control						Steel		
Depart.					Pulnikov EC			
Control								
Appr.								