

4A132M6-031-001

Use

Num. 3

B

A

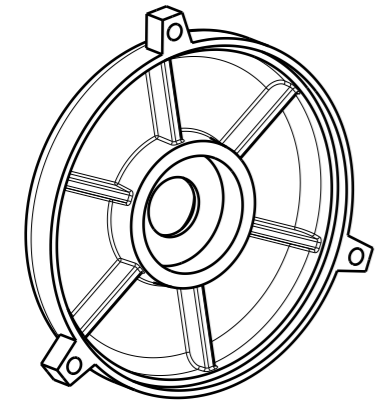
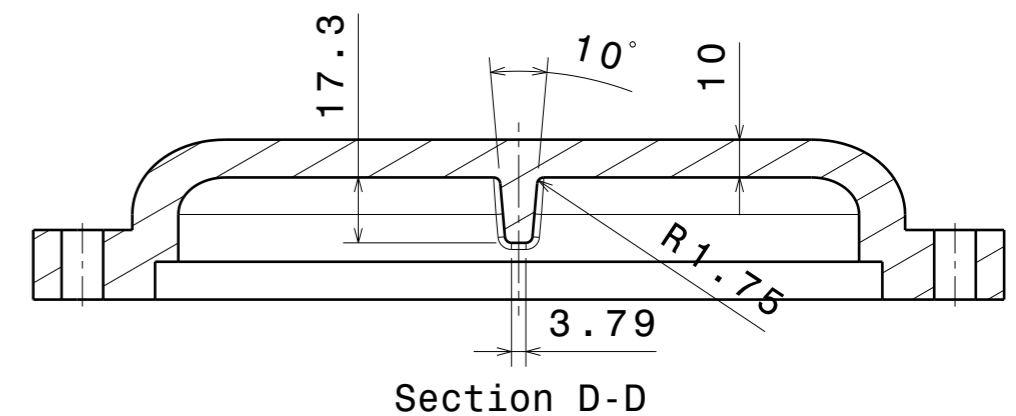
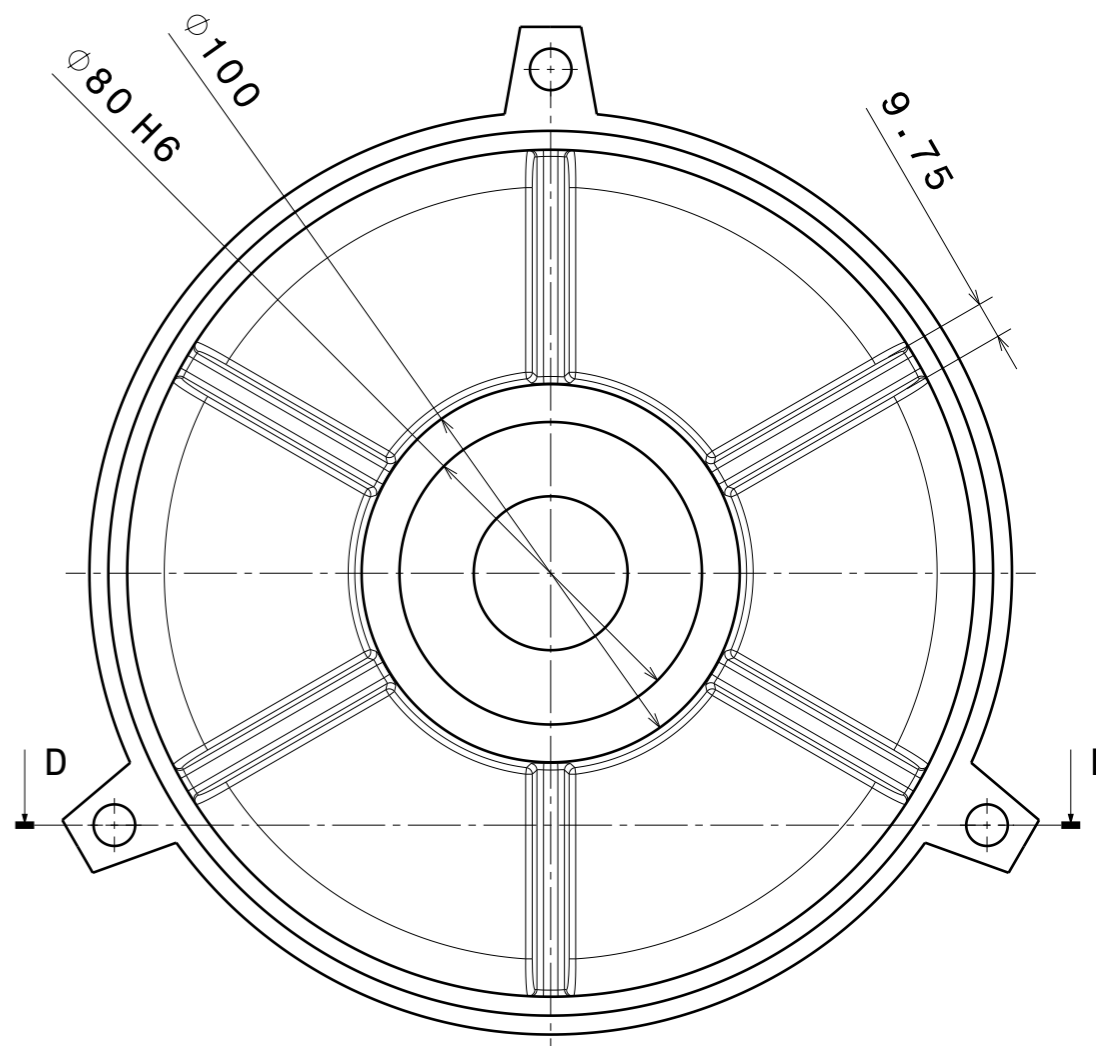
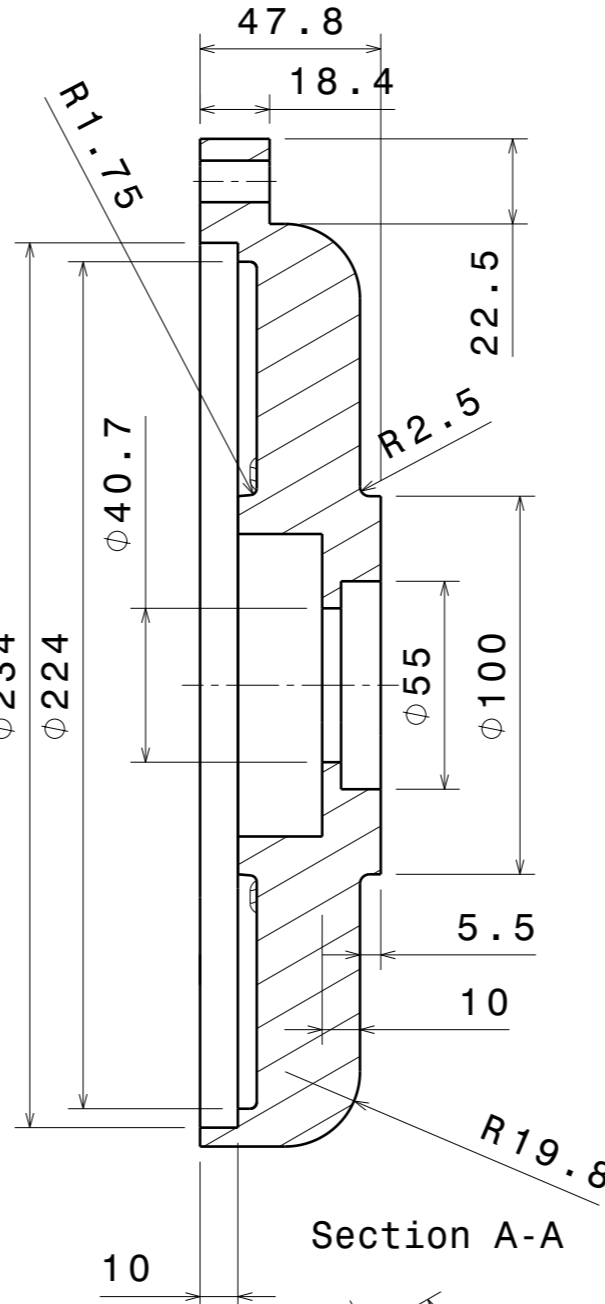
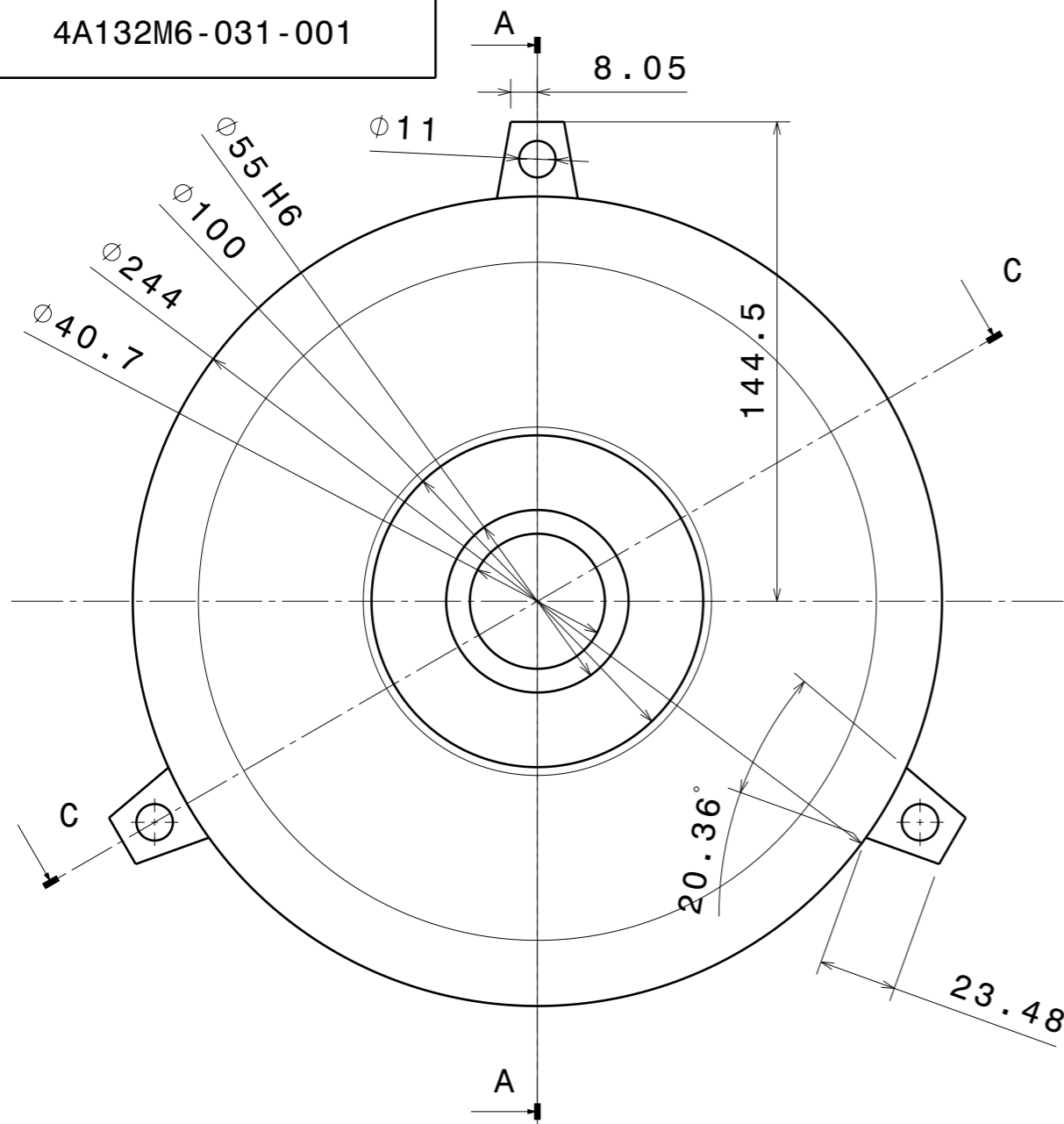
Sign. & date

Num. 2

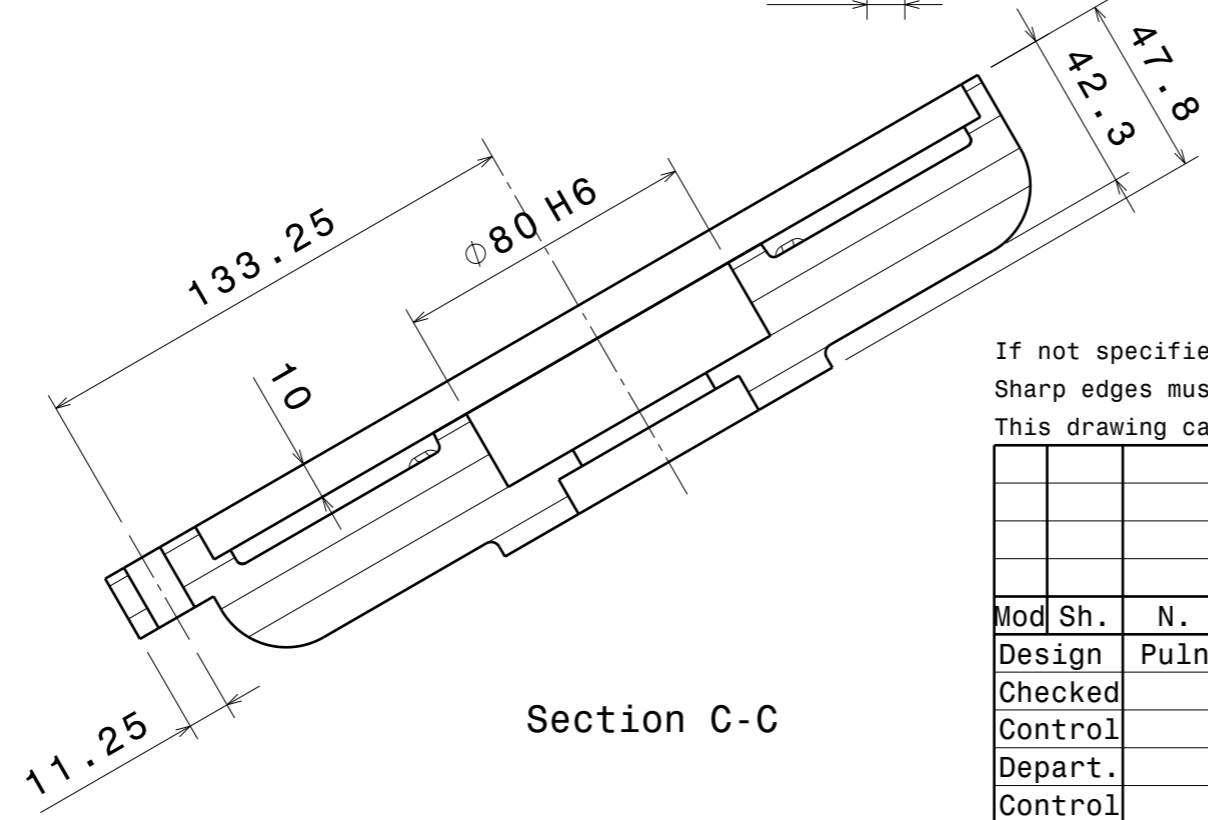
Num. 1

Sign. & date

Num.



Scale 1:5



Section C-C

If not specified, tolerance of +/-0.1mm must be used.  
 Sharp edges must be removed.  
 This drawing cannot be reproduced or communicated without written agreement of Dr. A.Pulnikov.

				<b>4A132M6-031-001</b>			
Mod Sh.	N. doc	Sign.	Date	Bearing shield (drive side)	Let	Weight	Scale
Design	Pulnikov	17/06/2020				2.1	1:2
Checked				Cast iron	Sheet 1		Sheets 1
Control					Pulnikov EC		
Depart.							
Control							
Appr.							