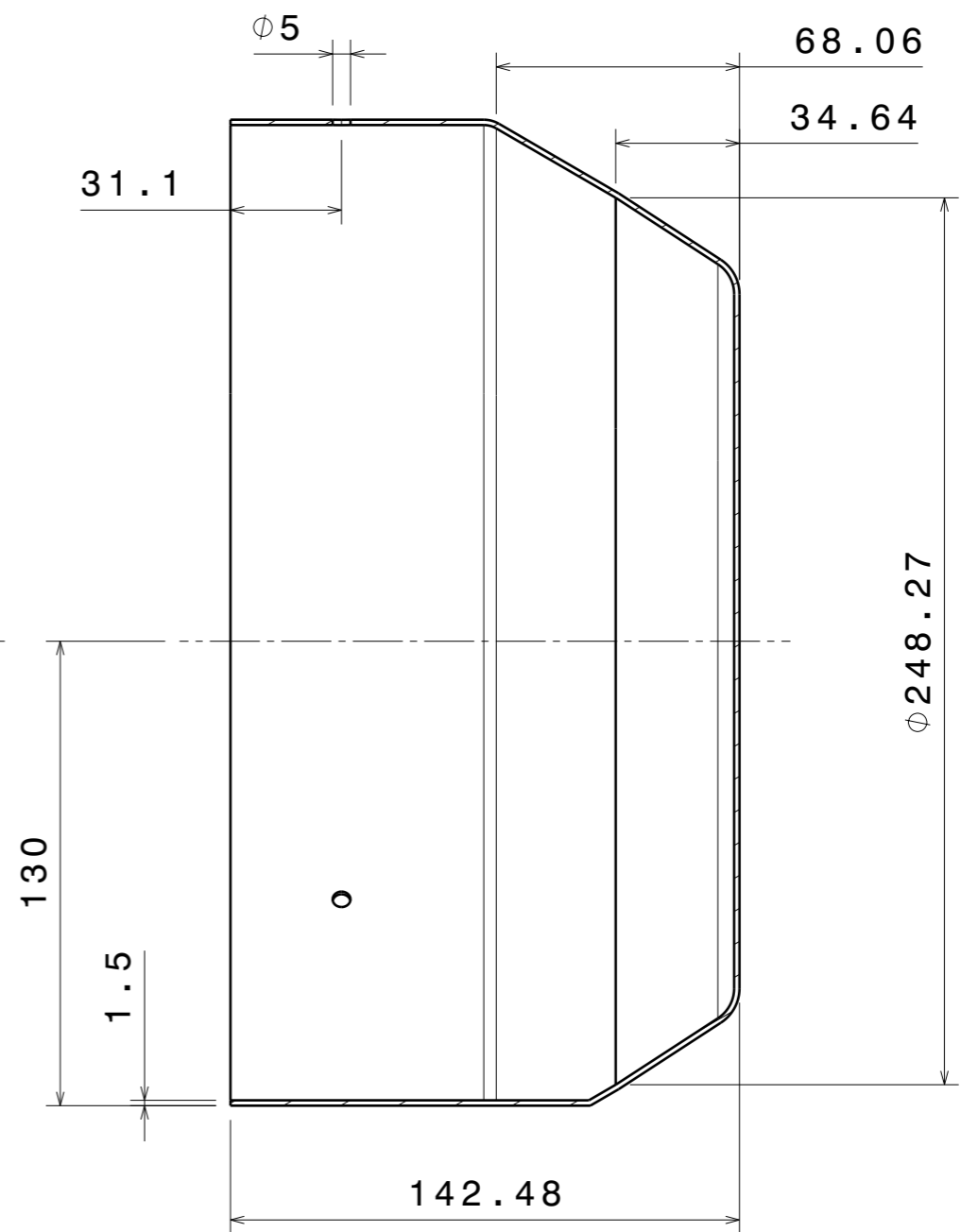
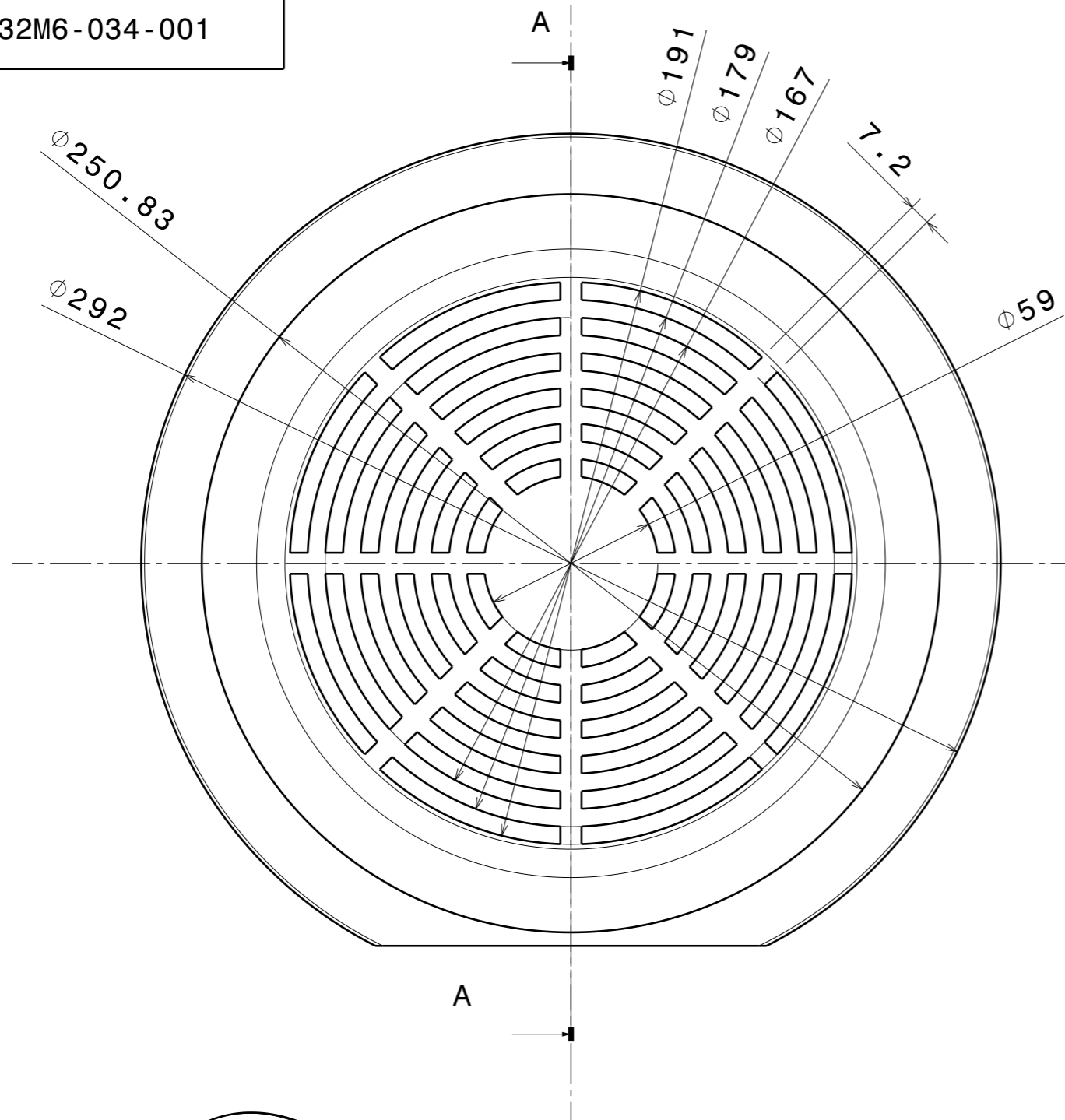
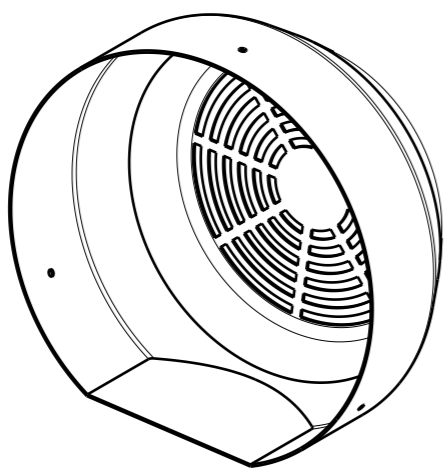


4A132M6-034-001



Section A-A



Scale 1:5

If not specified, tolerance of +/-0.1mm must be used.
 Sharp edges must be removed.
 This drawing cannot be reproduced or communicated without written agreement of Dr. A.Pulnikov.

					4A132M6-034-001					
					Fan cover		Let	Weight	Scale	
								1.76	1:2	
Mod	Sh.	N. doc	Sign.	Date	Steel		Sheet 1		Sheets 1	
Design		Pulnikov	17/06/2020				Pulnikov EC			
Checked										
Control										
Depart.										
Control										
Appr.										

Use
 Num. 3
 B
 A
 Sign. & date
 Num. 2
 Sign. & date
 Num. 1
 Sign. & date
 Num.