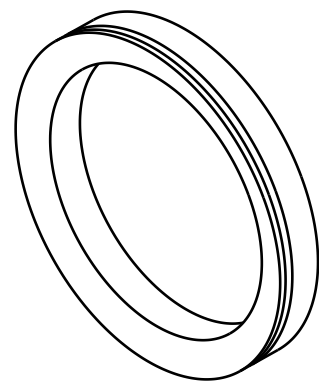
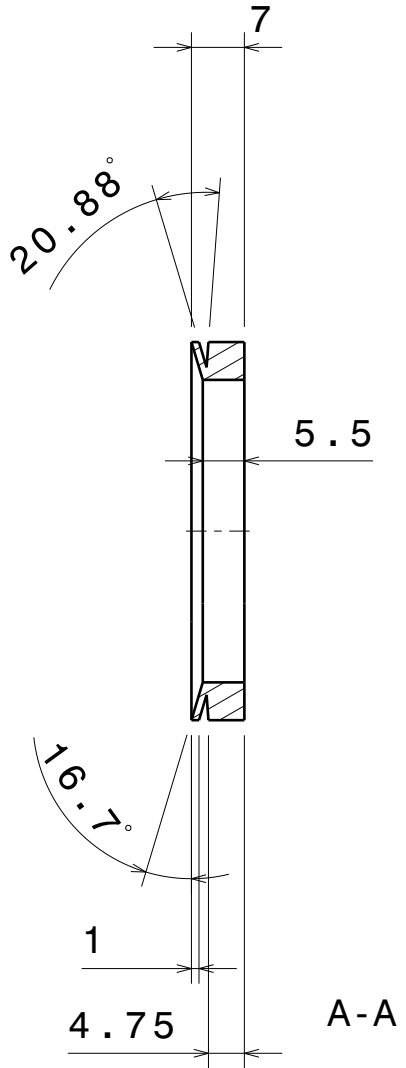
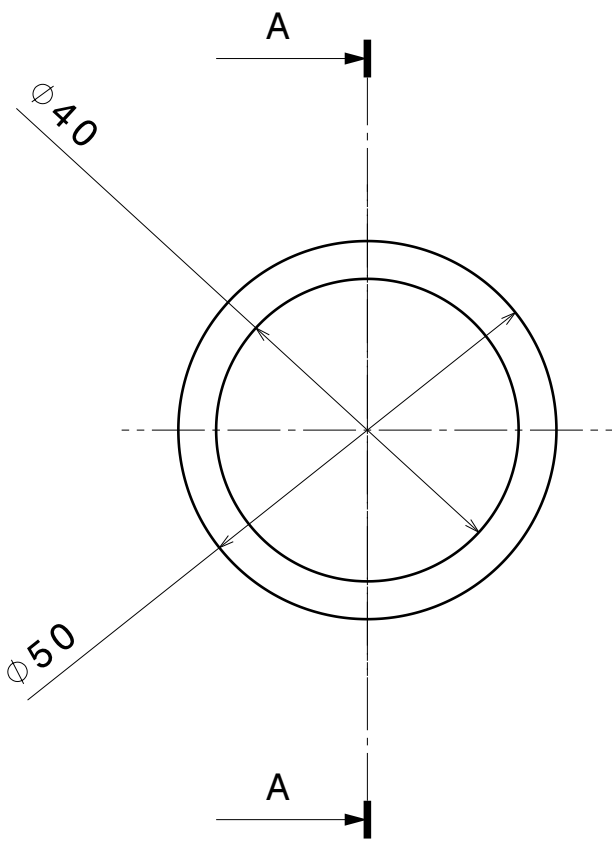


Use

Num. 3

B

A



4A132M6-064-001

Sign. & date

Num. 2

Num. 1

Sign. & date

Num.

If not specified, tolerance of +/-0.1mm must be used.
 Sharp edges must be removed.

This drawing cannot be reproduced or communicated without written agreement of Dr. A.Pulnikov.

					4A132M6-064-001					
					Seal drive side			Let	Weight	Scale
Mod	Sh.	N. doc	Sign.	Date					0.004	1:1
Design		Pulnikov	17/06/2020					Sheet 1	Sheets 1	
Checked					Rubber			Pulnikov EC		
Control										
Depart.										
Control										
Appr.										