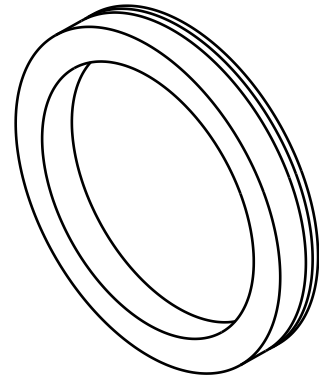
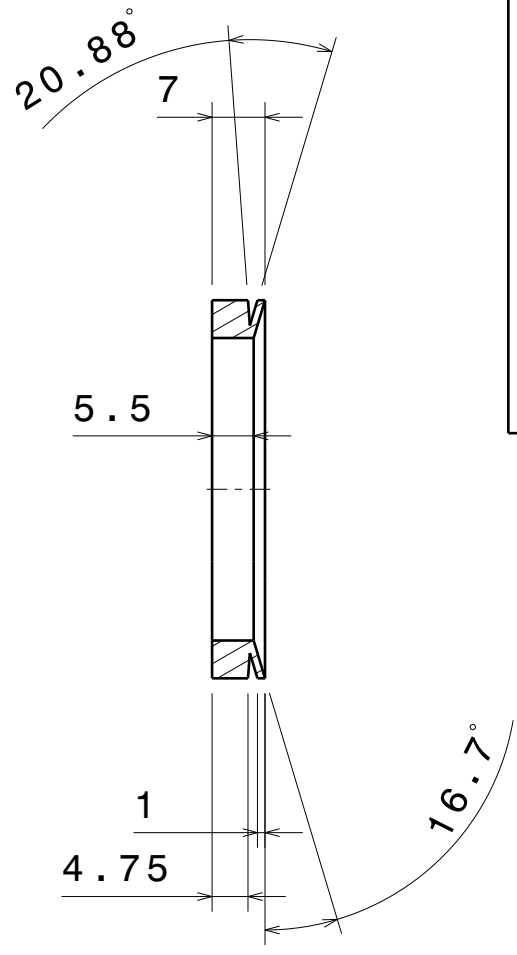
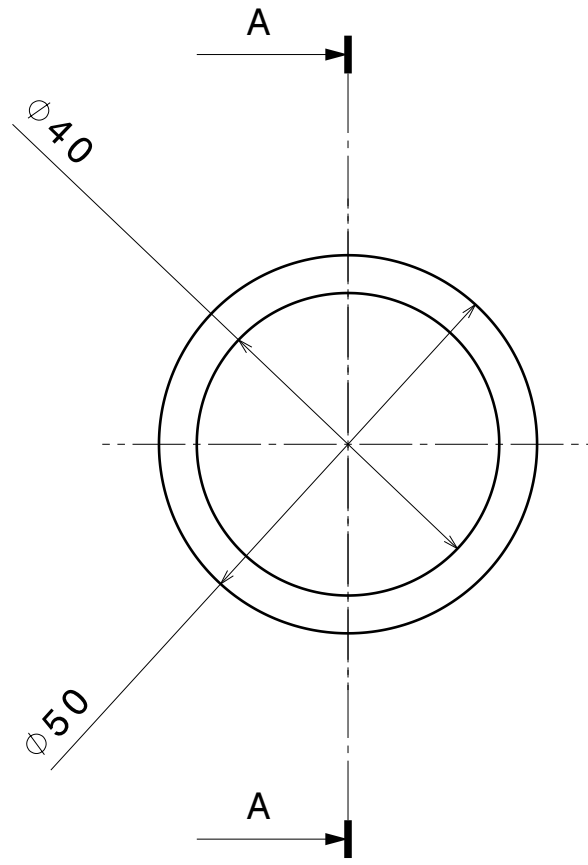


Use

Num. 3

B

A



4A132M6-065-001

Sign. & date

Num. 2

Num. 1

If not specified, tolerance of +/-0.1mm must be used.  
 Sharp edges must be removed.

This drawing cannot be reproduced or communicated without written agreement of Dr. A.Pulnikov.

Sign. & date

Num.

Mod	Sh.	N. doc	Sign.	Date
Design		Pulnikov	17/06/2020	
Checked				
Control				
Depart.				
Control				
Appr.				

**4A132M6-065-001**

Seal fan side

Let	Weight	Scale
	0.004	1:1
Sheet 1	Sheets 1	

Rubber

Pulnikov EC